



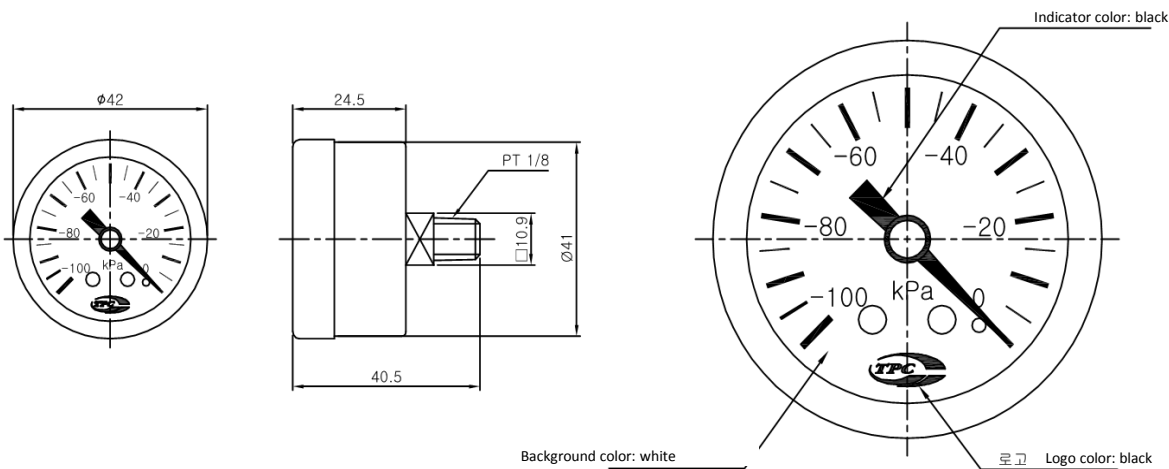
Option

■ Vacuum & Cleanroom pressure gauge

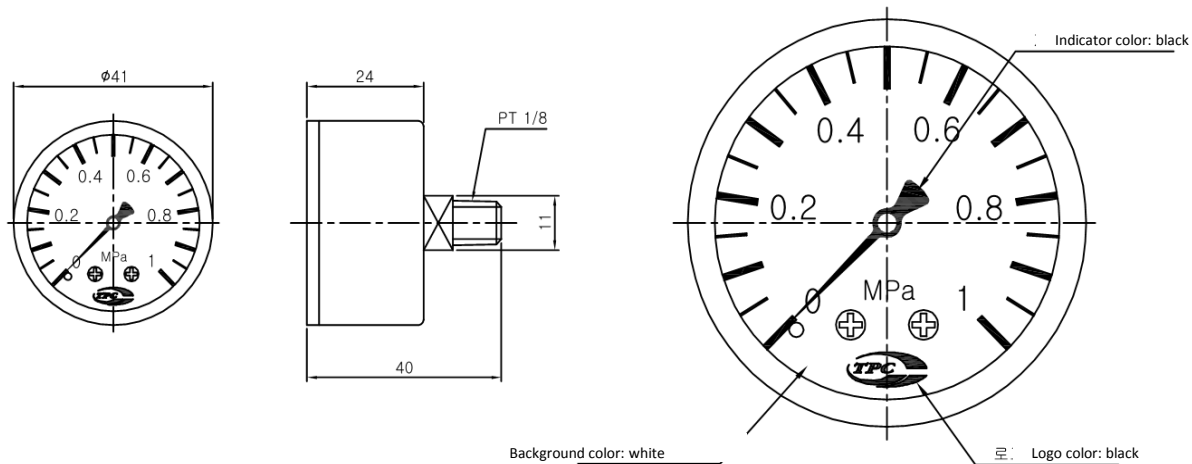
■ Specifications

		Classification	For vacuum	For cleanroom
		Fluid	Air	
Max. operating pressure		-100kPa	1.0MPa	
Display pressure range		-100 ~ -1.3 (kPa)	0 ~ 1.0 (MPa)	
Ambient and fluid temp (°C)		0 ~ 60 (Non-freezing)		
For vacuum type	For cleanroom type	Precautions	No harmful vibration or shock to pressure gauge	

■ Dimensions for vacuum pressure gauge



■ Dimensions for cleanroom pressure gauge



■ Parts information

Gauge type	Part number	Pressure range (Unit)	Applicable series	Remarks
Vacuum pressure gauge	PVR3000-16-6104	-100~0 (kPa)	PVR3000	—
Cleanroom pressure gauge	PNR4000-16A-6108	0~1.0 (MPa)	PNR4000	SUS material