

DWC series

Coolant control valve



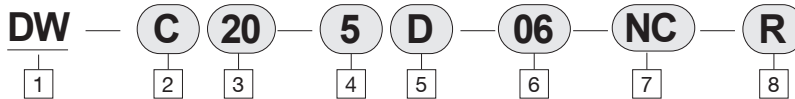
- Large capacity
- Coil protection design
- Various mounting available
- Outstanding durability
- Coolant module set components

Symbol



While the valve is closed, the inlet and the outlet of the valve is blocked, but if pressure of port 2 is higher than that of port 1, fluid can not be stopped from flowing.

How to order



1 DWC Coolant series
2 PORT VALVE

2 Type

C	Coolant valve
---	---------------

3 Orifice size

20	20
----	----

4 Voltage

1	AC110V
2	AC220V
5	DC24V
9	DC12V

5 Electrical entry

G	GROWMET
D	DIN TERMINAL
DZ	DIN TERMINAL(LAMP TYPE, SURGE PROTECTION CIRCUIT)
C	CONTROL BOX
CZ	CONTROL BOX(LAMP TYPE)

6 Port size

06	Rc 3/4
----	--------

7 Type

NC	Normally Closed
NO	Normally Opened

8 Bracket

Blank	No bracket
R	Bracket on the right

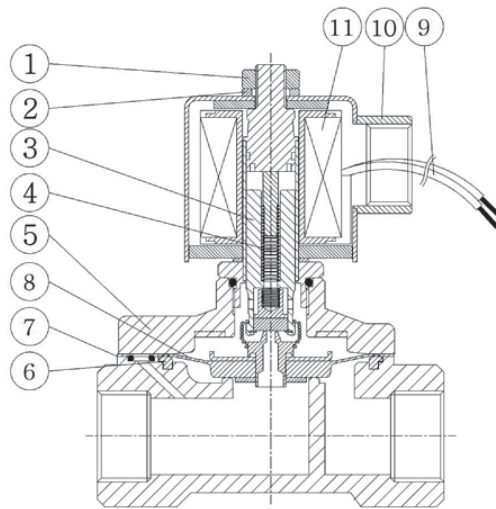
※Bracket P/N : TV2W20-95-2790

DWC series

Specifications

Valve type	Direct acting 2-port valve
Max. operating pressure(MPa)	1.0
Pressure within warranty(MPa)	2.0
Fluid	Air, Water
Ambient temp.	-20 ~ 60
Fluid temp.	1 ~ 60
Voltage	AC110V, AC220V, DC24V, DC12V
Voltage range	±10% of rated voltage
Power consumption	14 W
Coil insulation	B
Leakage	Less than 0.1
Flow characteristics(Cv)	9.2
Body materials	Brass (C37)

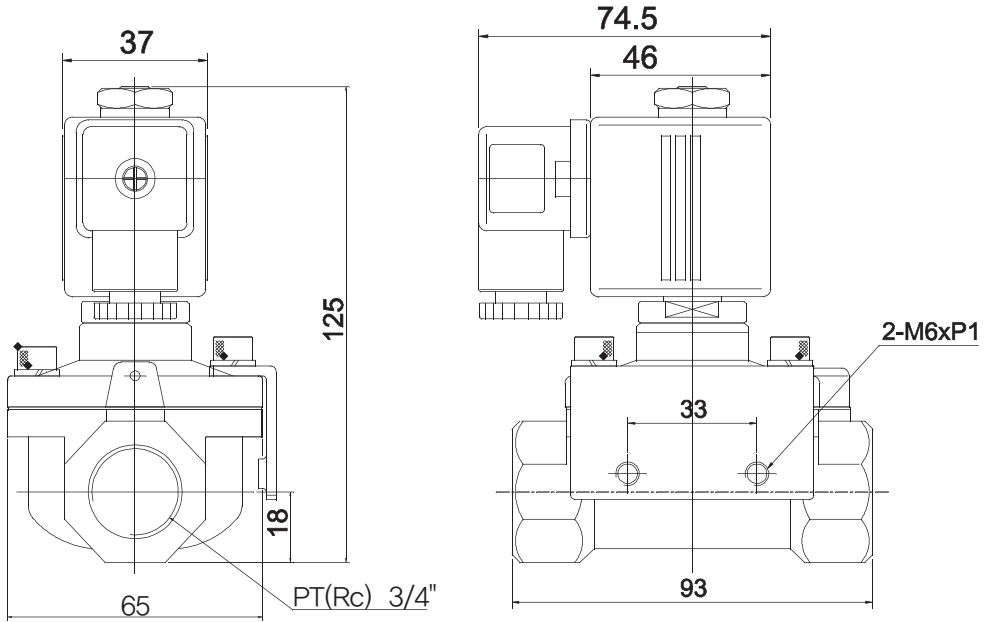
Structure



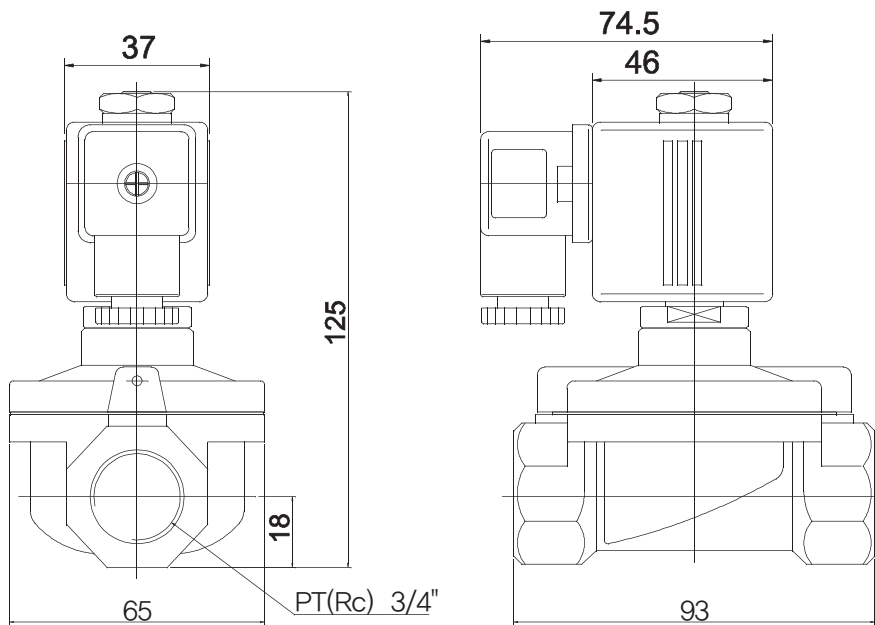
No.	Components	Materials	Remarks
1	Nut	STS	
2	Washer	STS	
3	Plunger	STS	
4	Spring	STS	
5	Body	BRASS	
6	O-ring	NBR	
7	Body	BRASS	
8	Diaphragm	NBR	
9	Lead wire	NBR	
10	Coil cover	PVC	
11	Coil	SPC	

Dimensions

DWC20-XD(DZ)-06-XX-R



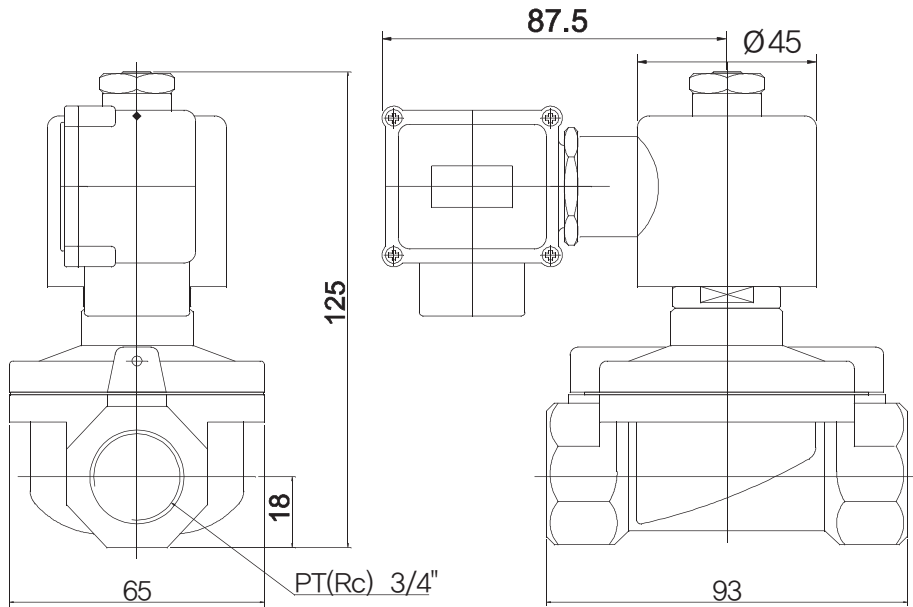
DWC20-XD(DZ)-06-XX



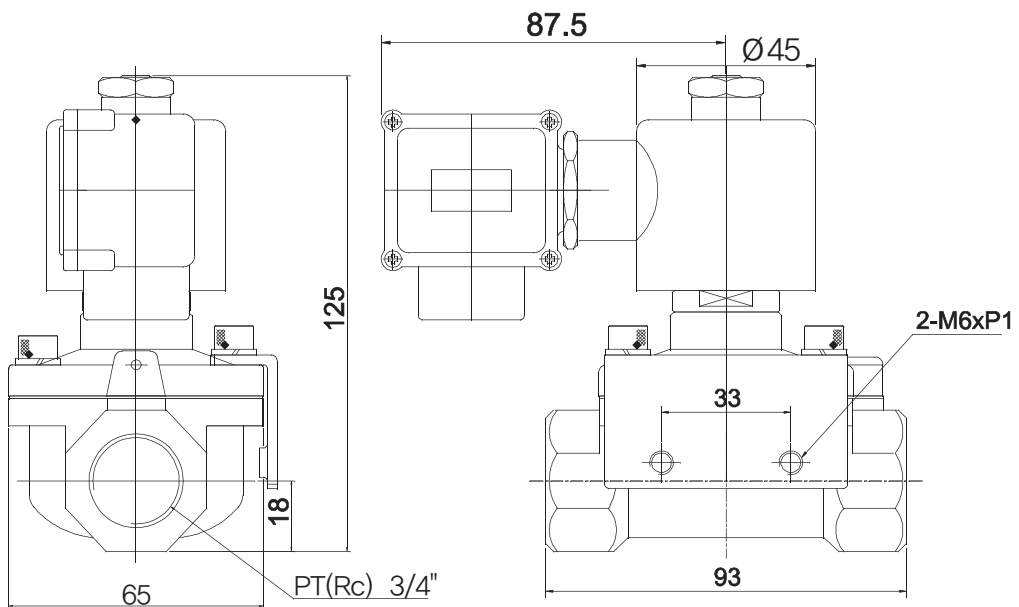
DWC series

Dimensions

DWC20-XC(CZ)-06-XX

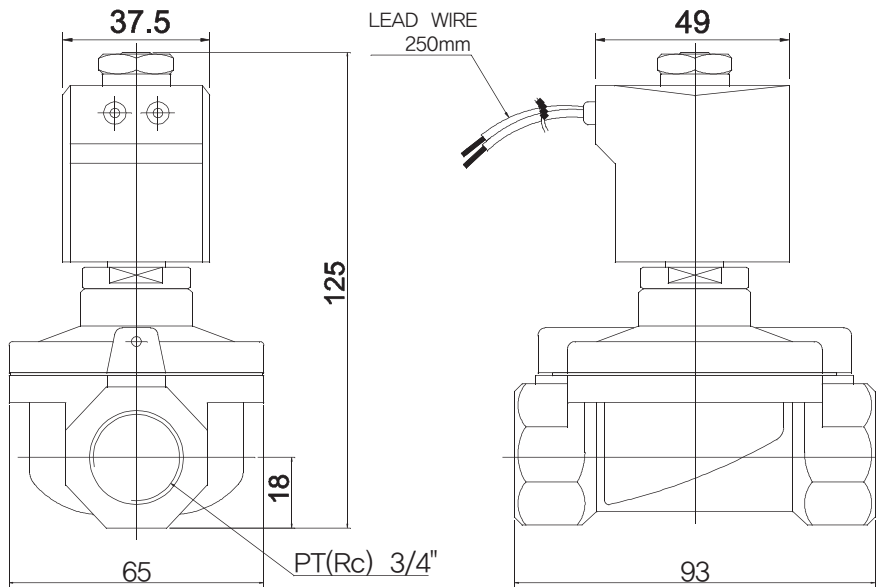


DWC20-XC(CZ)-06-XX-R



Dimensions

DWC20-XG-06-XX



DWC20-XG-06-XX-R

