

# SPC Series

## Pilot Check Valves



### Features

- Speed Controller with built-in pilot check valve
- Easy to control the speed of the cylinder

## How to order

**SPC 06 — 01**

1   
 2   
 3

**1** Series

**2** Body Size

06	Ø06
08	Ø08
10	Ø10
12	Ø12

**3** Thread

01	R1/8
02	R1/4
03	R3/8
04	R1/2

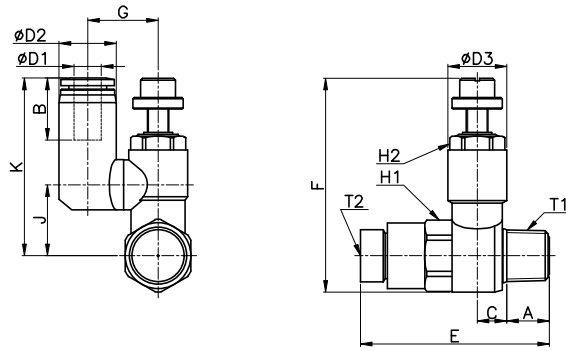
## Specifications

Fluid	Compressed Air(Air, No other type of gas or liquids)
Operating pressure range	1 ~ 9.9 kgf/cm <sup>2</sup> (100 ~ 990kPa)
Negative Pressure	- 750 mmHg (- 750 Torr, - 100 kPa)
Operating temp.	0~60°C

## Cautions

Be sure to have a full understanding before use and refer to safety cautions and common cautions

# Pilot Check Valves **SPC Series**



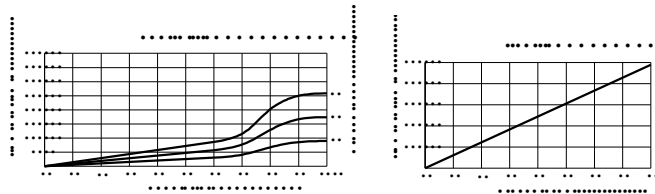
## METRIC-BSPT(R)

Unit : mm

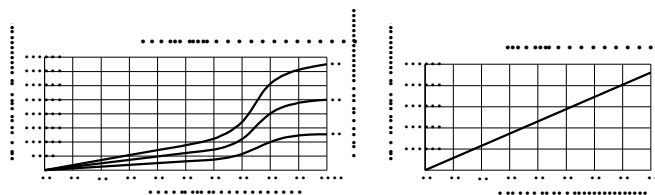
MODEL	ØD	A	T1	T2	B	ØD1	ØD2	ØD3	C	E	F		G	J	K	H1 (Hex)	H2 (Hex)	Weight (g)
											Min	Max						
SPC06-01	6	8.0	R 1/8	M5	17.0	6.0	12.6	12.1	8.0	35.4	43.6	48.4	16.1	14.9	38.9	12	10	30.4
SPC06-02		10.5	R 1/4	R 1/8		6.0	12.6	15.4	7.6	42.0	55.4	60.4	19.4	18.4	44.3	17	13	63.5
SPC08-01	8	8.0	R 1/8	M5	19.1	8.0	14.9	12.1	8.0	35.4	43.6	48.4	17.3	14.9	39.8	12	10	33.6
SPC08-02		10.5	R 1/4	R 1/8		8.0	14.9	15.4	7.6	42.0	55.4	60.4	18.4	18.4	46.7	17	13	66.3
SPC08-03		11.4	R 3/8	R 1/8		8.0	15.1	20.3	9.6	49.7	58.4	63.4	23.4	21.4	50.7	19	17	101.3
SPC10-03	10	11.4	R 3/8	R 1/8	20.2	10.0	17.6	20.3	9.6	49.7	58.4	63.4	23.4	21.4	53.0	19	17	105.2
SPC10-04		14.4	R 1/2	R 1/4		10.0	17.6	27.3	12.8	59.8	72.0	78.0	26.4	31.3	64.4	24	23	203.3
SPC12-03	12	11.4	R 3/8	R 1/8	22.7	12.0	20.6	20.3	9.6	49.7	58.4	63.4	23.4	21.4	54.8	19	17	110.0
SPC12-04		14.4	R 1/2	R 1/4		12.0	20.6	27.3	12.8	59.8	72.0	78.0	26.4	31.3	67.2	24	23	235.0

## SPC Flow Graph

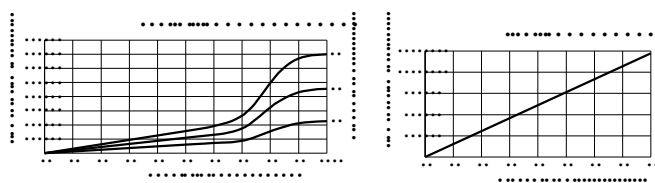
SPC 06-01  
08-01



SPC 06-02  
08-02



SPC 08-03  
10-03  
12-03



SPC 10-04  
12-04

