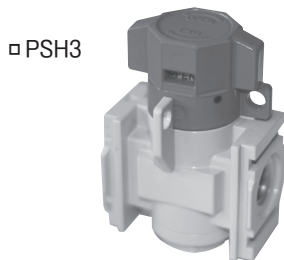
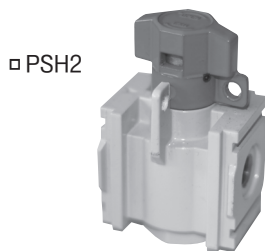


Series PSH

Accessories Modular Shut-off Valve

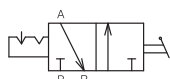
- Modular type, easy combination with F.R.L units
- Prevents a mistakes by lock function in exhaust
- Improved exhausting time



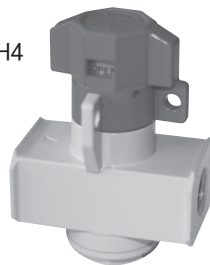
Standard Specifications

Type	PSH2		PSH3		PSH4		PSH5	
Tube Port Size	1/8"	1/4"	1/4"	3/8"	3/8"	1/2"	3/4"	1"
Rc(PT), NPT, G(PF)								
Exhaust Port Size	1/8"		1/4"		3/8"		1/2"	
Rc(PT), NPT, G(PF)								
Supply Effective Area (mm ²)	12	14	30	57	63	106	267	370
Exhaust Effective Area (mm ²)	11	16	16	30	32	51	98	120
Proof Pressure (MPa)	1.5							
Max. Operating Pressure (MPa)	1.0							
Ambient Temperature (°C)	-5 ~ 60 (Non-Freezing)							
Angle of Knob Operation	90°							
Weight (g)	324		312		406		990	

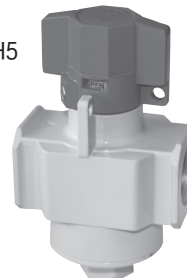
Symbol



□ PSH4



□ PSH5



How to Order

PSH 4 — * 04 — *

Series (Shut-out V/V) — PSH

Type of Series — 4

2	PC2 Series	4	PC4 Series
3	PC3 Series	5	PC5 Series

Thread — 04

Blank	Rc(PT)
N	NPT
G	G(PF)

Option — *

Blank	None
B	Clamp spacer kit

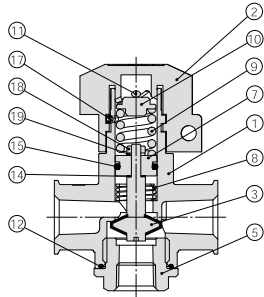
Note) Separately packed, Not assembled

Port Size — *

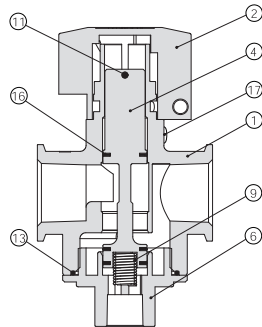
01	1/8	PC2 Series
02	1/4	PC2, 3 Series
03	3/8	PC3, 4 Series
04	1/2	PC4 Series
06	3/4	PC5 Series
10	1	PC5 Series

Series PSH

Construction



PSH 2, 3, 4 Series

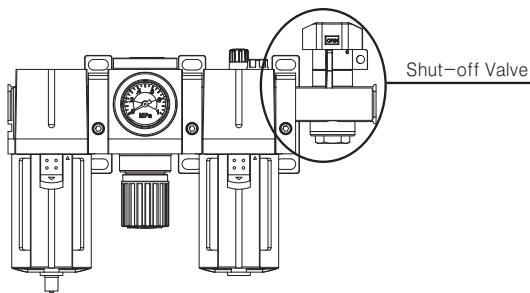


PSH 5 Series

Main Parts List

NO.	Description	Material	Note
①	Body	Zinc	PSH2
		Aluminum	PSH3,4,5
②	Handle	Zinc	
③	Poppet Valve	Brass+NBR	
④	Spool	Aluminum	
⑤	Poppet Valve Guide	Zinc	
⑥	Spool Guide	Zinc	
⑦	Piston	Brass	
⑧	Poppet Valve Spring	Stainless Steel	
⑨	Spring	Piano Wire	
⑩	Spring Holder	Free Cutting Steel	
⑪	Parallel Pin	Free Cutting Steel	
⑫	Poppet Valve Guide Gasket	NBR	
⑬	Spool Guide Gasket	NBR	
⑭	Washer	NBR	
⑮	Piston Packing	NBR	
⑯	Spool Packing	NBR	
⑰	Handle Stopping Screw	Carbon Steel	
⑱	Poppet Valve Nut	Carbon Steel	
⑲	Poppet Valve Washer	Stainless Steel	

Combination



※ A Shut-off Valve has to be connected to the outlet side of FRL units.

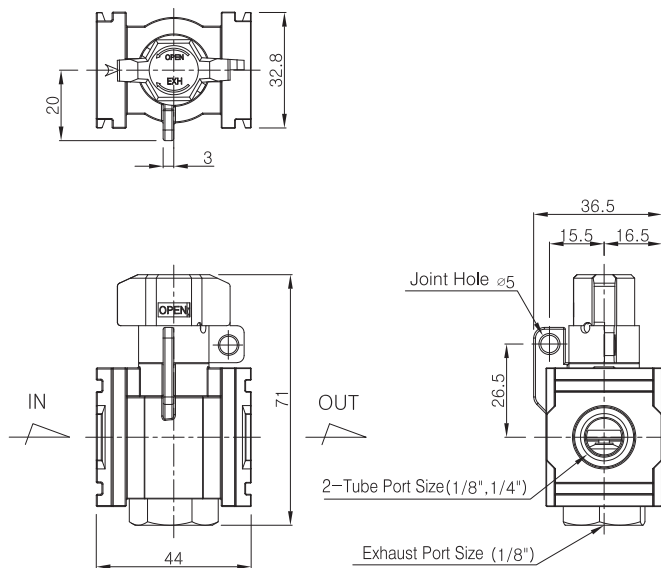
Cautions

- ① "P" of "▷" mark which refers to input of compressed air is an inlet, and A port of opposite side is outlet.
- ② Do not add pressure except P port, It causes a malfunction, R port which is right-angled direction is an outlet port, Please connect them with caution. It causes a malfunction.
- ③ A malfunction and air leak might be caused unless a handle will be stopped halfway, so conversion has to be done immediately. Please change the handle surely.
- ④ Do not remove attached screw on the handle. It causes a malfunction by omission of the screw.

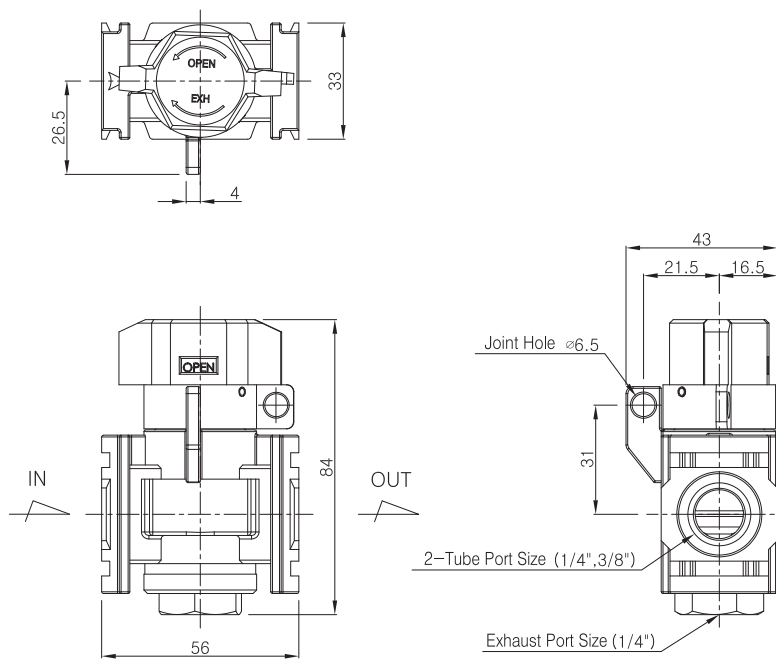
- PC2
- PF2
- PR2
- PL2
- PP2
- PC3
- PF3
- PR3
- PL3
- PP3
- PC4
- PF4
- PR4
- PL4
- PP4
- PC5
- PF5
- PR5
- PL5
- PP5
- PFH(U)2~PFH(U)5
- PPH(U)3~PPH(U)4
- PLV
- PSH**
- PCV
- MB

Series PSH

PSH2 Dimensions

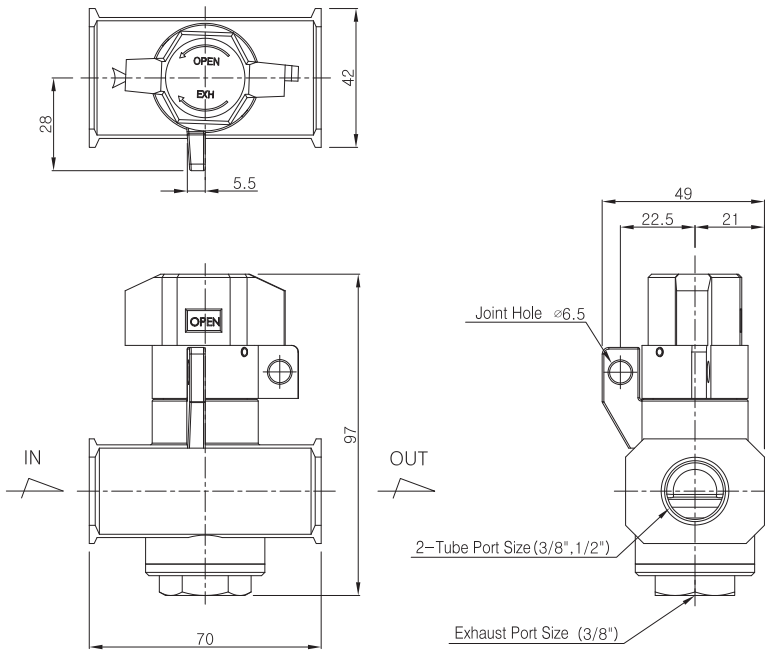


PSH3 Dimensions

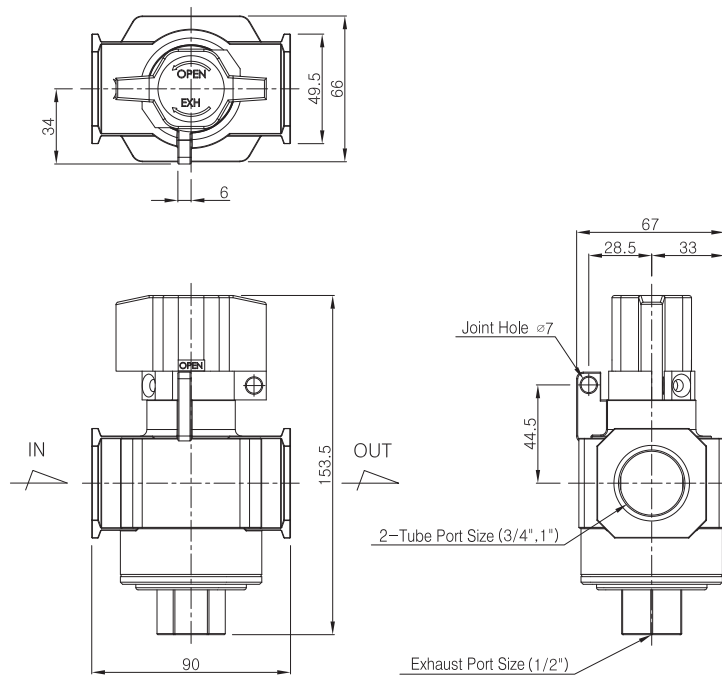


Series PSH

PSH4 Dimensions



PSH5 Dimensions



PC2

PF2

PR2

PL2

PP2

PC3

PF3

PR3

PL3

PP3

PC4

PF4

PR4

PL4

PP4

PC5

PF5

PR5

PL5

PP5

PFH(U)2~
PFH(U)5

PPH(U)3~
PPH(U)4

PLV

PSH

PCV

MB