

# Series PF3

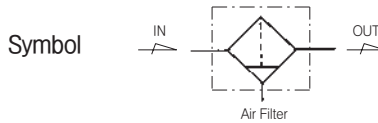
## Filter 1/4" and 3/8"



### Standard Specifications

Fluid	Air	
Max. Operating Pressure (MPa)	1.0(140psi)	
Proof Pressure (MPa)	1.5(200psi)	
Ambient and Fluid Temperature (°C)	-5~60(23~140°F) (Non-freezing)	
Flow Capacity ※ (Nℓ /min)	1/4"	2,100(74scfm)
	3/8"	3,100(109scfm)
Bowl Material	Polycarbonate	
Bowl Guard Material	Nylon	
Filtration (μm)	5	
Drain Capacity (cm <sup>3</sup> )	Manual Drain : 38(1.28oz), Auto Drain : 30(1.01oz)	
Weight (kg)	0.24(0.53lb)	

※ Test conditions : Supply pressure 0.6MPa(90psi), Pressure drop 0.07MPa(10psi)



### How to Order

**PF 3** — \* **03 B D** — \*

Series (Filter Unit) — PF 3

Thread — \*

Blank	Rc(PT)
N	NPT
G	G(PF)

Port Size — 03

02	1/4
03	3/8

Other Option

Blank	Filter element - 5μm	R	Flow direction : Right - Left
J2	Filter element - 20μm	XC16	Copper-free
J4	Filter element - 40μm	Q1	Metal Bowl With/Sight Glass
		Q2	Metal Bowl NO Sight Glass

Drain Option

Blank	Manual Drain
D	Auto Drain (N.O. Type)

Note1) Min. operating pressure for Auto drain (N.O. Type) : 0.15MPa(20psi)

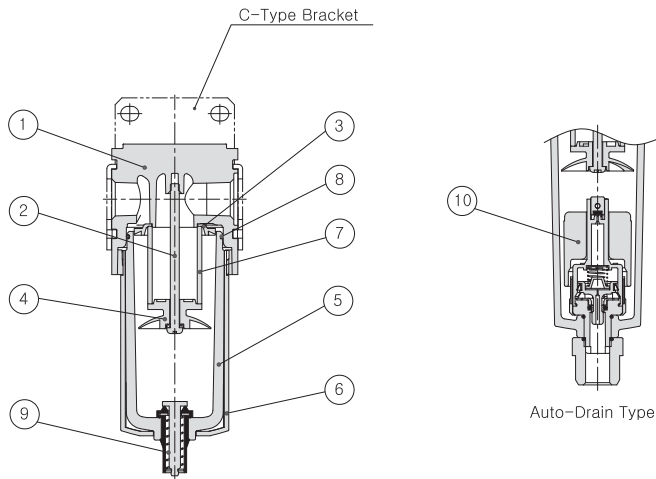
Bracket Option

Blank	None
B	Bracket

Note2) Separately packed, Not assembled.

# Series PF3

## Construction



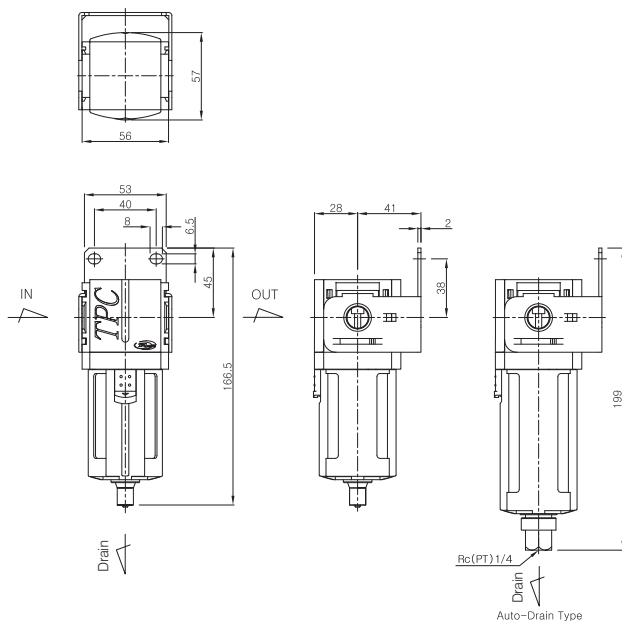
### Main Parts/Parts List

No.	Description	Material	Remark
①	Body	Aluminum	
②	Baffle Screw	Rolled Steel	
③	Deflector	Nylon	
④	Baffle	Acetal	
⑤	Bowl	Polycarbonate	
⑥	Bowl Guard	Nylon	

### Replacement Parts/Parts List

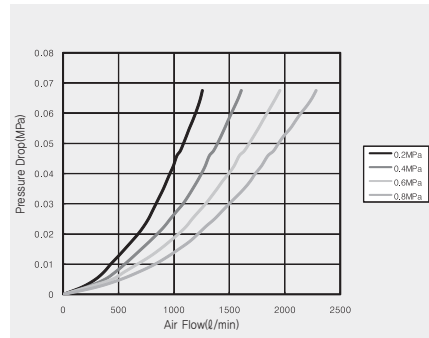
No.	Description	Material	Part No.
⑦	Filter element	Polyethylene	PF3-24-005-01
⑧	Bowl o-ring	NBR	PL3-04-001-01
⑨	Drain ass'y	-	TAF3000-10A-6004
⑩	Auto drain ass'y	-	TAF3000-04A-6008

## Dimensions

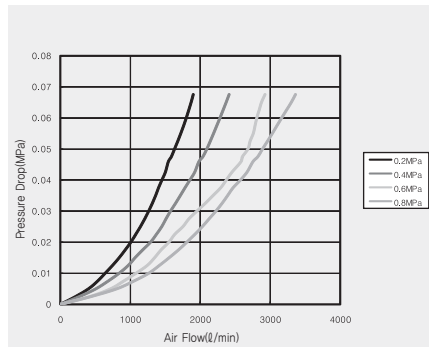


## Flow characteristics

### ▶ 1/4" PF3



### ▶ 3/8" PF3



PC2

PF2

PR2

PL2

PP2

PC3

**PF3**

PR3

PL3

PP3

PC4

PF4

PR4

PL4

PP4

PC5

PF5

PR5

PL5

PP5

PFH(U)2~  
PFH(U)5

PPH(U)3~  
PPH(U)4

PLV

PSH

PCV

MB