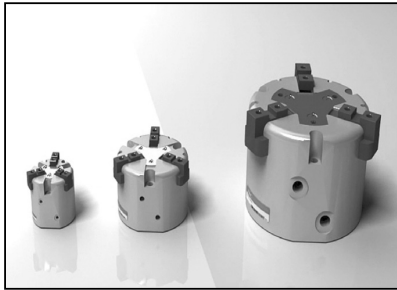


# NFC3 Series

3 Finger Type Air Chuck / Bore Size : Ø16, Ø20, Ø25, Ø32, Ø40, Ø50, Ø63, Ø80

Actuator  
Cylinder

NFB3 Series



- ▶ Suitable structure for gripping of different diameter work pieces
- ▶ High repeatability :  $\pm 0.01\text{mm}$
- ▶ Obtaining long life system with compact and durable construction by slide way
- ▶ Center pusher option type(Ø50, Ø63, Ø80)

## How to Order

**NFC3**

1

**50**

2

**D**

3

**CP**

4

**W9H**

5

**S**

6

### 1 3 Finger Air Chuck

### 2 Bore Sizes

Number	Bore Sizes
16	Ø16
20	Ø20
25	Ø25
32	Ø32
40	Ø40
50	Ø50
63	Ø63
80	Ø80

### 3 Action

D: Double acting

### 4 Auto Switch

Blank : No Switch

W9H : Micro solid state auto switch (horizontal)

W9V : Micro solid state auto switch (vertical)

W10V : Micro solid state auto switch (10mm horizontal)

### 5 Number of Switches

Blank : 2 switches

S : 1 switch

## Specification

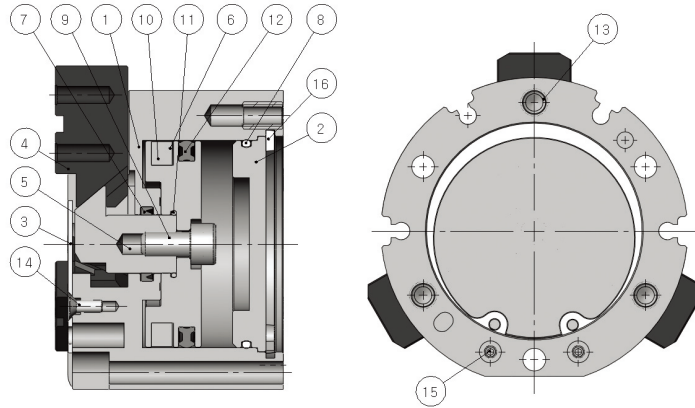
Type	NFC3-16D	NFC3-20D	NFC3-25D	NFC3-32D	NFC3-40D	NFC3-50D	NFC3-63D	NFC3-80D
Bore Size(mm)	16	20	25	32	40	50	63	80
Opening / Closing(mm)	4		6	8		12	16	20
Gripping Force (N)	Closing	16	28	51	83	132	207	343
	Opening	18	34	56	94	147	236	368
Port Size	M3			M5				Rc 1/8
Weight (gf)	78	120	168	278	416	604	1062	1988
Max Gripping Length	30	35	40	45	50	60	70	80
Fluid	Air							
Operating Pressure	0.2 ~ 0.6			0.1 ~ 0.6				
Lubricant	Not Necessary							
Ambient and Fluid Temperature	5~60							
Repeatability	$\pm 0.01$							
Max Operating Frequency	120			60				30
Auto Switch	W9H, W9V, W10V							

Note 1) Values are checked at 0.5M Pa and with gripping point L = 10 mm

Note 2) Auto switch W10V is recommended for NFC3-16D, NFC3-20D, NFC3-25D, and W9H and W9V are recommended for NFC3-32D, NFC3-40D, NFC3-50D

## 3 Finger Type Air Chuck **NFC3** Series

NFC3 Structure (Basic TYPE Ø16~Ø80)

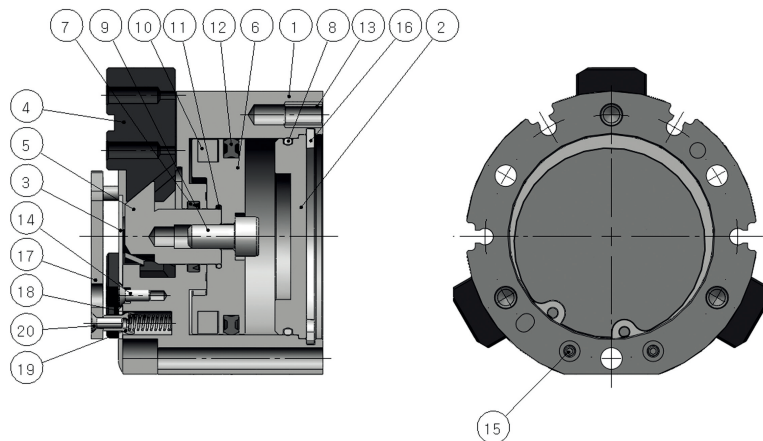


### PARTS LIST

No	DESCRIPTION	MATERIAL	NOTE
①	BODY	ALUMINUM	
②	HEAD COVER	ALUMINUM	
③	CAP	STAINLESS	
④	JAW	CARBON STEEL	
⑤	CAM ROD	CARBON STEEL	
⑥	PISTON	ALUMINUM	
⑦	ROD PACKING	NBR	
⑧	GASKET	NBR	
⑨	HEX SOCKET BOLT	CARBON STEEL	NICKEL PLATED
⑩	MAGNET	SELF-PURIFYING	
⑪	PISTON GASKET	NBR	
⑫	PISTON PACKING	NBR	
⑬	HELI-COIL	STAINLESS	
⑭	FLUSH BOLT	CARBON STEEL	NICKEL PLATED
⑮	SET SCREW	CARBON STEEL	
⑯	SNAP RING	CARBON STEEL	NICKEL PLATED

# NFC3 Series

NFC3 Structure CENTER PUSHER TYPE-Ø50, Ø63, Ø80)

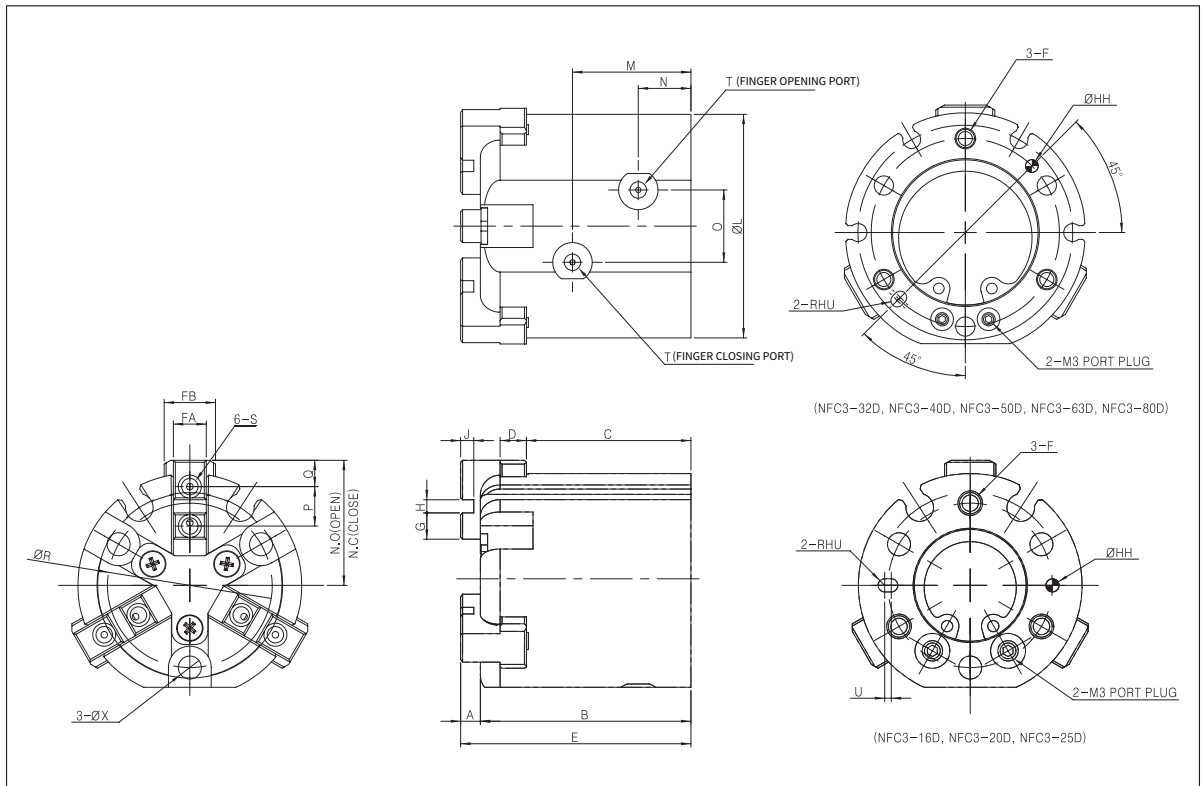


## PARTS LIST

No	DESCRIPTION	MATERIAL	NOTE
①	BODY	ALUMINUM	
②	HEAD COVER	ALUMINUM	
③	CAP	STAINLESS	
④	JAW	CARBON STEEL	
⑤	CAM ROD	CARBON STEEL	
⑥	PISTON	ALUMINUM	
⑦	ROD PACKING	NBR	
⑧	GASKET	NBR	
⑨	HEX SOCKET BOLT	CARBON STEEL	NICKEL PLATED
⑩	MAGNET	SELF-PURIFYING	
⑪	PISTON GASKET	NBR	
⑫	PISTON PACKING	NBR	
⑬	HELI-COIL	STAINLESS	
⑭	FLUSH BOLT	CARBON STEEL	NICKEL PLATED
⑮	SET SCREW	CARBON STEEL	
⑯	SNAP RING	CARBON STEEL	NICKEL PLATED
⑰	CENTER PUSHER	STAINLESS	
⑱	SPRING	SPRING STEEL	
⑲	JOINT	CARBON STEEL	
⑳	FLUSH BOLT	CARBON STEEL	NICKEL PLATED

# 3 Finger Type Air Chuck **NFC3** Series

## NFC3 measure

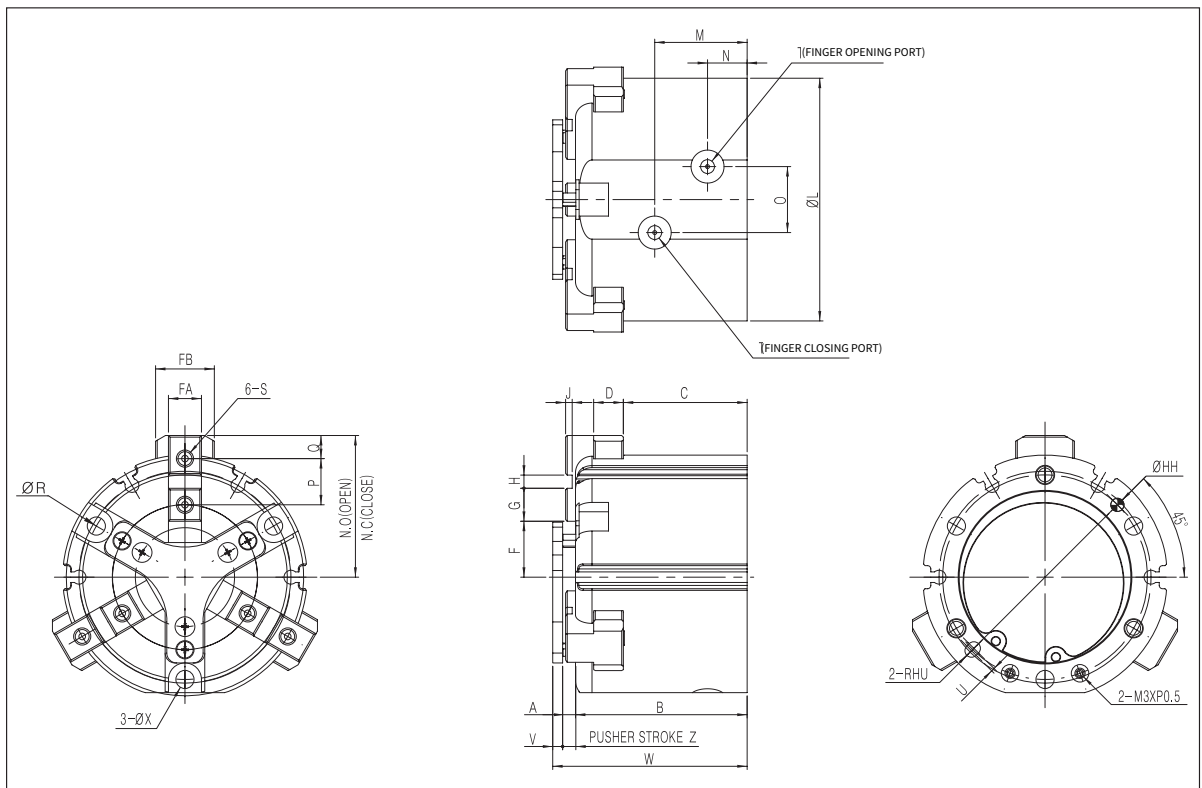


BORE SIZE (mm)	OPENING / CLOSING (mm)	A	B	C	D	E	G	H	J	L	M	N	O	F
16	4	3	32	25	4	35	4	2	2	34	18	8	11	M3 DP4.5
20	4	3	35	27	5	38	5	2	2	40	20	8	14	M3 DP6
25	6	3	37	28	5	40	6	2	2	46	22	9	13	M4 DP6
32	8	3	41	30.5	6	44	9	2	2	56	25	11	12	M4 DP6
40	8	3	44	32	7	47	9	3	2	66	25	11	14	M5 DP7.5
50	12	3	52	37.5	9	55	10	4	2	74	28	12	20	M5 DP10
63	16	4	62	44	11	66	11	6	3	90	34	14	24	M6 DP9
80	20	5	77	56	12	82	12	8	4	110	40	15	26	M6 DP12

BORE SIZE (mm)	OPENING / CLOSING (mm)	P	T	Q	R	S	FB	FA	X	NO	NC	HH	U	HU
16	4	6	M3×0.5	4	25	M3 DP5	7.8	5	3.5	19	17	2 DP2	1	1
20	4	7	M3×0.5	4.5	29	M3 DP6	9.8	6	3.5	22	20	2 DP2	1	1
25	6	8	M5×0.8	5	34	M3 DP6	11.8	6	4.5	26	23	3 DP2	1	1.5
32	8	11	M5×0.8	6.5	44	M4 DP8	13.8	8	4.5	34	30	3 DP2	1	1.5
40	8	12	M5×0.8	6.5	53	M5 DP8	15.8	8	5.5	37	33	4 DP2	1	2
50	12	14	M5×0.8	7	62	M5 DP10	17.8	10	5.5	43	37	4 DP2	1	2
63	16	17	M5×0.8	7.5	76	M5 DP10	23.8	12	6.6	53	45	5DP5	1	2.5
80	20	20	Rc 1/8	8	95	M6 DP12	27.8	14	6.6	66	55	6DP6	1	3

# NFC3 Series

NFC3measure (CENTER PUSHER TYPE-Ø50, Ø63, Ø80)



BORE SIZE (mm)	OPENING / CLOSING (mm)	A	B	C	D	E	F	G	H	J	L	M	N	O	P
50	12	3	52	37.5	9	55	16	10	4	2	74	28	12	20	14
63	16	4	62	44	11	66	22	11	6	3	90	34	14	24	17
80	20	5	77	56	12	82	31	12	8	4	110	40	15	26	20

BORE SIZE (mm)	T	Q	R	S	FB	FA	X	NO	NC	HH	U	HU	V	W	Z
50	M5	7	62	M5 DP10	17.8	10	5.5	43	37	4 DP2	1	2	3	58.9	4
63	M5	7.5	76	M5 DP10	23.8	12	6.6	53	45	5 DP5	1	2.5	3	68.9	4
80	Rc 1/8	8	95	M6 DP12	27.8	14	6.6	66	55	6 DP6	1	3	4	85	4