

Features

- Track roller guide & Belt type unit
- Multi mover available
- Various axis combination
- High tensile timing belt
- Customized options
- Easy maintenance

How to order

① MBT
② 40
③ S
④ — 600 —
⑤ 2000
⑥ — E2 —
⑦
⑧

① Sereis

② Model

40 / 60 / 80 / 100

③ Slider option

S : Standard(4 roller bearings)
 T : S + 2 additional bearings
 H : S + 4 additional bearings
 ※ Please contact us for additional quantity of slider

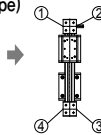
④ Stroke (Unit : mm)

40 : 50 ~ 3500
 60/ 80 / 100 : 50 ~ 5000
 ※ Please contact us for longer stroke than standard

⑤ Drive pulley (0:Standard, 2:Shaft type)

TYPE		MODEL			
Pulley direction	Pulley type	40	60	80	100
2000		●	●	●	●
2200		●	●	●	●

※ Please contact us for customized pulley type



⑧ Customized code

⑥ Color

Blank : White(outer)
 B : Black (outer)

⑦ Bracket of reducer (including coupling)

Blank : None

TYPE		MODEL		
SYMBOL	SIZE	60	80	100
E2	62	●	●	
E3	90	●	●	●
E4	120			●

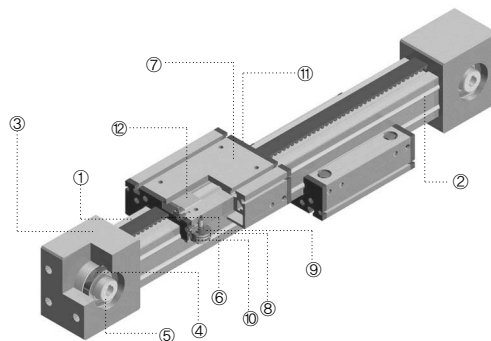
Basic option : ATG, APLUS, SESAME

MBT specifications

Specification	MBT40	MBT60	MBT80	MBT100
Max speed (mm/s)	2000	2000	2000	2000
Payload (kgf)	15 (horizontal)	15 (horizontal)	40 (horizontal)	80 (horizontal)
Stroke (mm)	Max. 3500	Max. 5000	Max. 5000	Max. 5000
Repeatability (mm)	± 0.05	± 0.05	± 0.05	± 0.05
Diameter of pulley (mm)	∅ 47.74	∅ 70.3	∅ 101.86	∅ 122.23
Pulley action perimeter (mm/rev)	150	220	320	384
No load torque (Nm)	0.3	0.6	0.9	1.4
Belt	RPP5 / W15	RPP5 / W25	RPP8 / W30	RPP8 / W50
LM Guide	S : 4 roller bearing standard / H : S type + 4 roller bearings			
Basic weight (kgf)	2.7	7.3	15.9	36.0
Weight per 100mm stroke (kgf)	0.3	0.5	0.8	1.4
Motor (W)	100 ~ 200	200 ~ 400	400	750
Size (mm, W x H)	40 x 70	60 x 98	80 x 140	100 x 180

Note) Customized options such as motor, raydent and LM guide are available.

MBT structure



► Component list

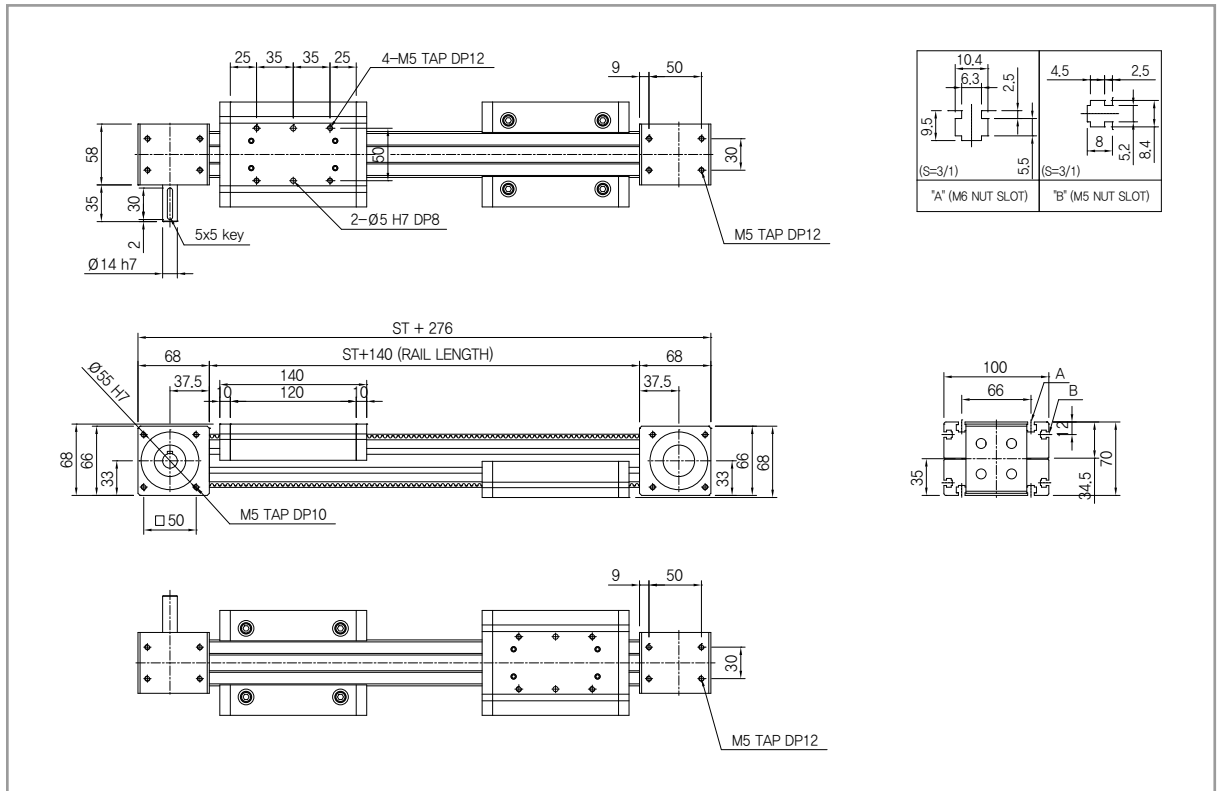
No	Component name		Material	No	Component name	Material
1	Rail		Aluminum alloy	7	Slider block	Aluminum alloy
2	Model	Shaft	Bearing steel	8	Track roller	Bearing steel
	40	∅6				
	60	∅10				
	80	∅12				
	100	∅16				
3	Pulley box		Aluminum alloy	9	Washer	-
4	Bearing		-	10	Wiper	FELT
5	Timing pulley		High carbon steel	11	Sealing	EP
6	Timing belt		Urethane	12	Belt clip	Carbon steel

MBT 40

Basic specifications

Model	Stroke (mm)	Gear Ratio	Speed (mm/s)	Motor (W)	Max. Payload(kg)	
					Horizontal(0.3G)	Horizontal(0.5G)
MBT40	50~3500	10	750	100	15	12
		5	1500	200	10	8

MBT40



- Please contact us to change sensor or motor options.
- Customized tap or pin pitch on the bottom is available.

Weight & speed for each stroke

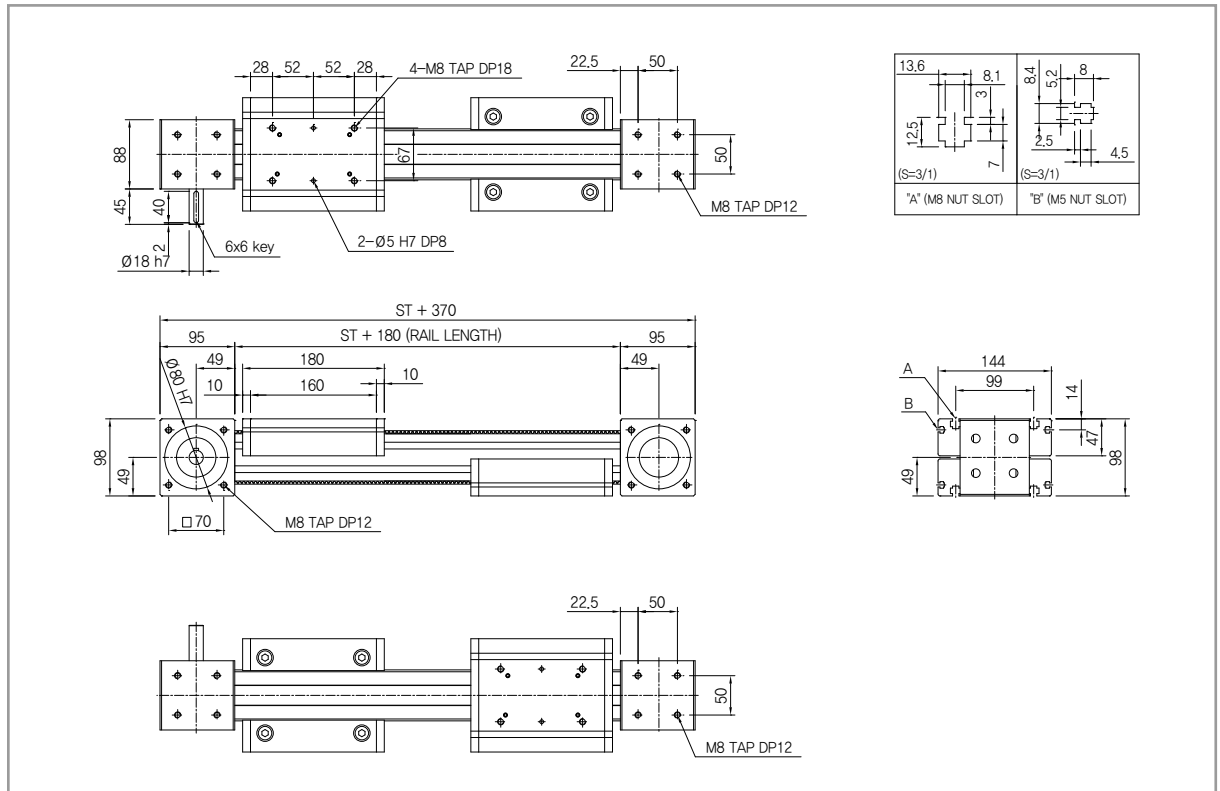
Stroke(mm)	1000	1100	1200	1300	1400	1500	1600	1700	1800	1900	2000	2500	3000	3500	4000	4500	5000	Model
Weight(kg)	5.7	6.0	6.3	6.6	6.9	7.2	7.5	7.8	8.1	8.4	8.7	10.2	11.7	13.2	14.7	16.2	17.7	MBT40

Note) The weight of motor and reducer is not included.

Basic specifications

Model	Stroke (mm)	Gear Ratio	Speed (mm/s)	Motor (W)	Max. Payload(kg)	
					Horizontal(0.3G)	Horizontal(0.5G)
MBT60	50~5000	10	1100	200	15	12
		5	2200	400	5	3

MBT60



- Please contact us to change sensor or motor options.
- Customized tap or pin pitch on the bottom is available.

Weight & speed for each stroke

Stroke(mm)	1000	1100	1200	1300	1400	1500	1600	1700	1800	1900	2000	2500	3000	3500	4000	4500	5000	Model
Weight(kg)	12.3	12.8	13.3	13.8	14.3	14.8	15.3	15.8	16.3	16.8	17.3	19.8	22.3	24.8	27.3	29.8	32.3	MBT60

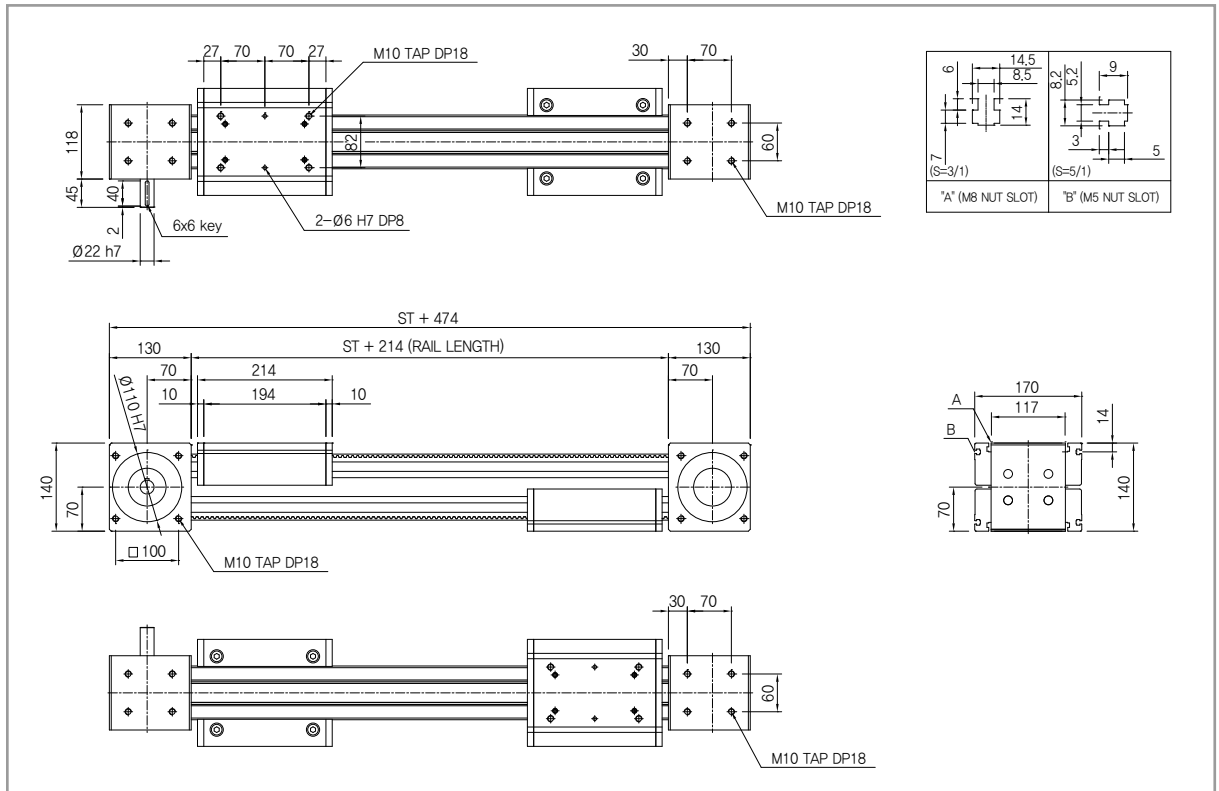
Note) The weight of motor and reducer is not included.

MBT 80

Basic specifications

Model	Stroke (mm)	Gear Ratio	Speed (mm/s)	Motor (W)	Max. Payload(kg)	
					Horizontal(0.3G)	Horizontal(0.5G)
MBT80	50~5000	20	800	400	40	35
		10	1600		12	10

MBT80



- Please contact us to change sensor or motor options.
- Customized tap or pin pitch on the bottom is available.

Weight & speed for each stroke

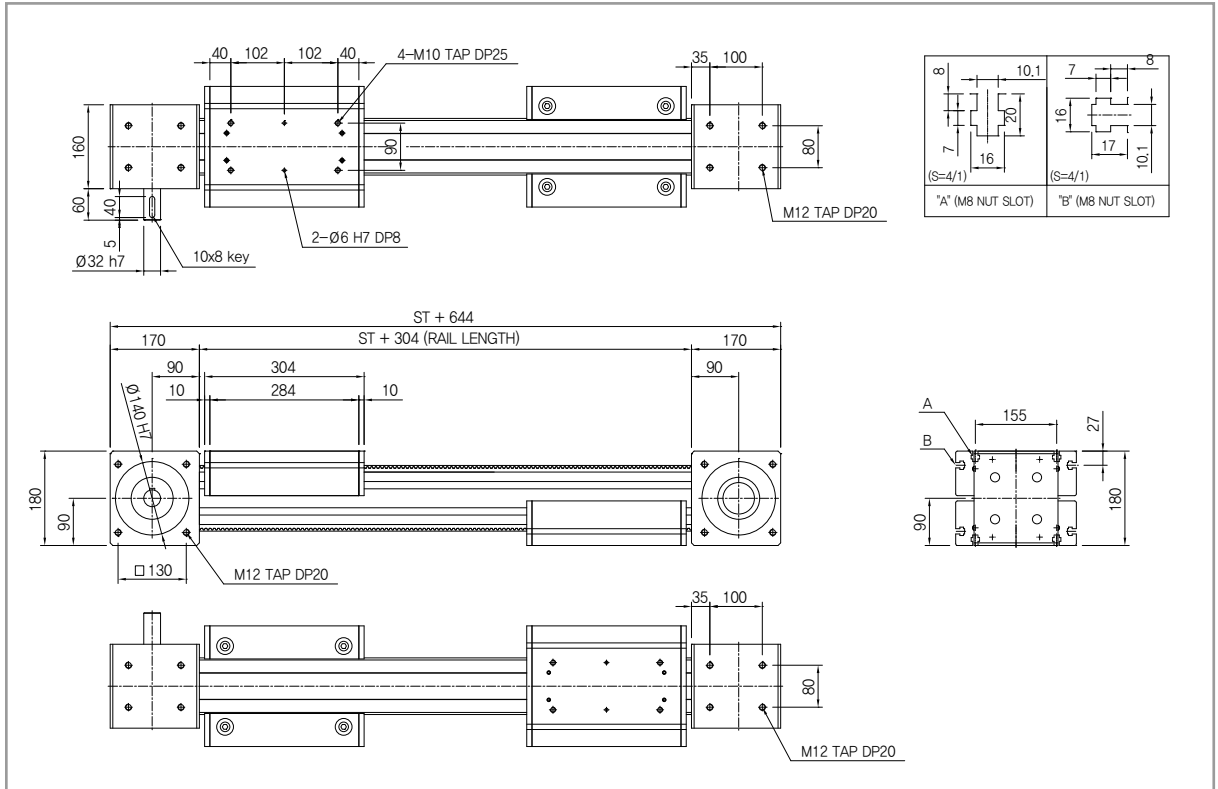
Stroke(mm)	1000	1100	1200	1300	1400	1500	1600	1700	1800	1900	2000	2500	3000	3500	4000	4500	5000	Model
Weight(kg)	23.9	24.7	25.5	26.3	27.1	27.9	28.7	29.5	30.3	31.1	31.9	35.9	39.9	43.9	47.9	51.9	55.9	MBT80

Note) The weight of motor and reducer is not included.

Basic specifications

Model	Stroke (mm)	Gear Ratio	Speed (mm/s)	Motor (W)	Max. Payload(kg)	
					Horizontal(0.3G)	Horizontal(0.5G)
MBT100	50~5000	20	960	750	80	70
		10	1920		30	20

MBT100



- Please contact us to change sensor or motor options.
- Customized tap or pin pitch on the bottom is available.

Weight & speed for each stroke

Stroke(mm)	1000	1100	1200	1300	1400	1500	1600	1700	1800	1900	2000	2500	3000	3500	4000	4500	5000	Model
Weight(kg)	50.0	51.4	52.8	54.2	55.6	57.0	58.4	59.8	61.2	62.6	64.0	71.0	78.0	85.0	92.0	99.0	106.0	MBT100

Note) The weight of motor and reducer is not included.

