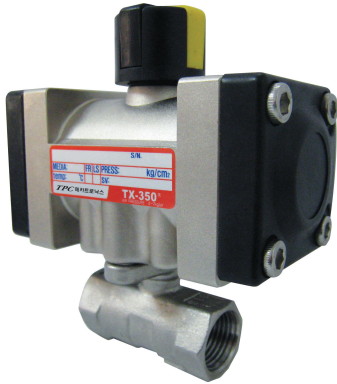


TX350-1PCS Series

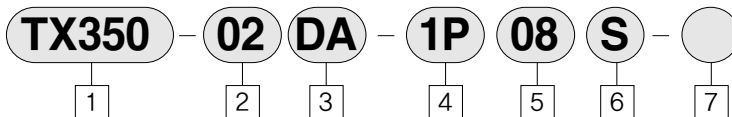
1PCS BALL VALVE

Air Operating Ball Valve(Reducer Bore)



- ISO standard
- Light weight and compact design
- Highly corrosion proof SCS14 (body)
- Low cost valve
- Easy assembly/disassembly during piping and maintenance
- Ground ball valve stem hole ground

How to Order



1 Series (Air Operating Ball Valve)

2 Actuator Cylinder Size

02 : 32mm (dimension D: 85.6mm)
03 : 32mm (dimension D: 99 mm)
05 : 40mm
1 : 50mm

3 Actuator Type

DA : Double Acting
RS : Spring return

4 Valve Type

1P : 1pc Valve

5 Valve Size

08 : 1/4"
10 : 3/8"
15 : 1/2"
20 : 3/4"
25 : 1"
32 : 1 1/4"
40 : 1 1/2"
50 : 2"

6 Connection Type

S : Screw

7 Option

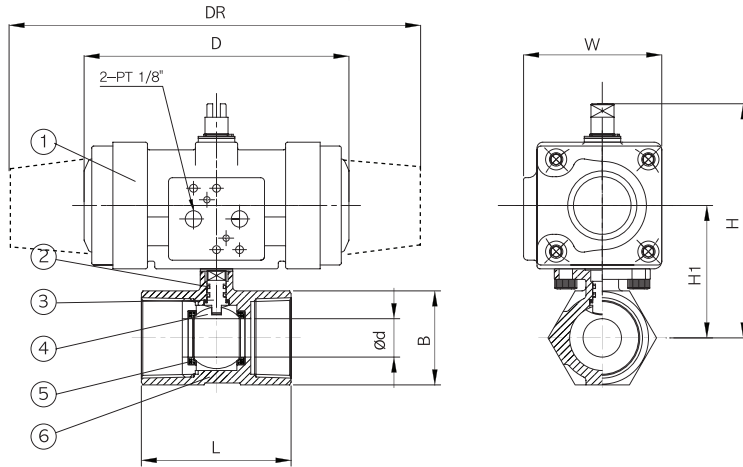
Blank : Standard
H : High temperture Valve

Product Specifications

Item	Specifications
Fluid	Water, Air, Oil, Gas, Steam
Fluid Temperature	Basic type (0~80℃) / High temperature Replacement seal(0~180℃)
Operating press	4~7Kg/cm ²
Option	Solenoid Valve AC110V, AC220V, DC24V
	Speed control
	Limit Switch
	Filter Regulator the other

TX350-1PCS Series

Construction



Parts List

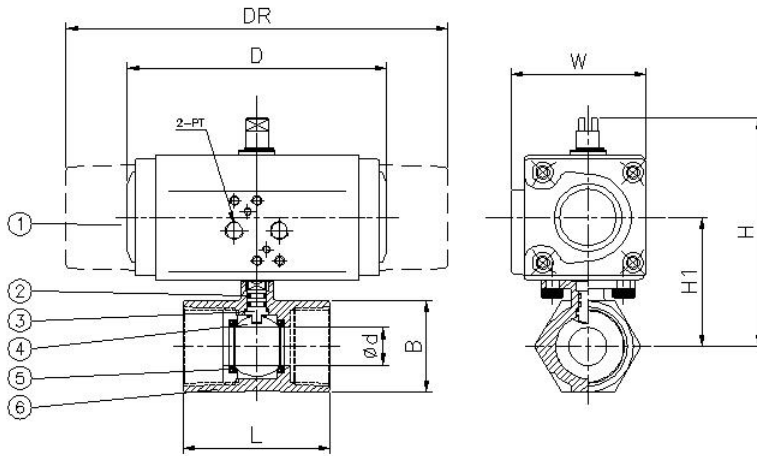
No.	Description	Material
1	ACTUATOR	Die casting
2	O-RING	VITON
3	STEM	SUS316
4	BALL	SUS316
5	SEAT	PTFE
6	VALVE BODY	SCS14(CF8M)

Dimensions (Die casting)

Model		Connection		Max. pressure (MPa)	Dimension (mm)										Weight (Kg)			
		Size (in)	Type		Ød	L	H		H1		D	DR	B	W		PT	DA	RS
■ TX350 Double Acting Actuator																		
TX350-02DA-08S	TX350-05RS-08S	1/4"	Screw Type Rc	1.0	5	39	90.5	100	49	54	85.6	107	17	55	60	1/8	0.43	0.76
TX350-02DA-10S	TX350-05RS-10S	3/8"			7.2	44	91.5	101	50	55	85.6	107	19	55	60		0.46	0.76
TX350-02DA-15S	TX350-05RS-15S	1/2"			9.2	57	91	100	49	55	85.6	107	25	55	60		0.51	0.82
TX350-03DA-20S	TX350-05RS-20S	3/4"			12.5	59	93	102	51	57	99	107	32	55	60		0.67	0.92
TX350-05DA-25S	TX350-05RS-25S	1"			15	71	106		61	107	107	38	60		0.92		1.04	
TX350-1DA-32S	TX350-1RS-32S	1 1/4"			20	78	122		69	138	203	49	72		1.65		2.11	
TX350-1DA-40S	TX350-1RS-40S	1 1/2"			25	83	127.5		75	138	203	53	72		1.76		2.23	
TX350-1DA-50S	TX350-1RS-50S	2"			32	100	133		80.5	138	203	64	72		2.26		2.72	

1PCS BALL VALVE TX350-1PCS Series

Construction



Parts List

No.	Description	Material
1	ACTUATOR	(Drawing)
2	O-RING	VITON
3	STEM	SUS316
4	BALL	SUS316
5	SEAT	PTFE
6	VALVE BODY	SCS14(CF8M)

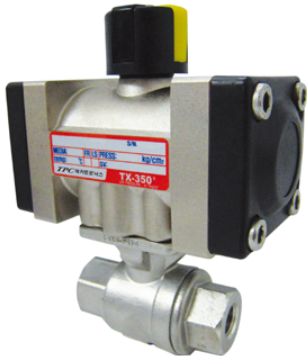
Dimensions (Drawing)

Model		Connection		Max. pressure (MPa)	Dimension (mm)										Weight (Kg)			
		Size (in)	Type		Ød	L	H		H1		D	DR	B	W		PT	DA	RS
■ TX350 Double Acting Actuator																		
TX350-02DA-08S	TX350-05RS-08S	1/4"	Screw Type Rc	1.0	5	39	90.5	100	49	54	85.6	107	17	55	58.4	1/8	0.43	0.76
TX350-02DA-10S	TX350-05RS-10S	3/8"			7.2	44	91.5	101	50	55	85.6	107	19	55	58.4		0.46	0.76
TX350-02DA-15S	TX350-05RS-15S	1/2"			9.2	57	91	100	49	55	85.6	107	25	55	58.4		0.51	0.82
TX350-03DA-20S	TX350-05RS-20S	3/4"			12.5	59	93	102	51	57	99	107	32	55	58.4		0.67	0.92
TX350-05DA-25S	TX350-05RS-25S	1"			15	71	106		61	107	107	38		58.4			0.92	1.04
TX350-1DA-32S	TX350-1RS-32S	1 1/4"			20	78	122		69	138	203	49		72			1.65	2.11
TX350-1DA-40S	TX350-1RS-40S	1 1/2"			25	83	127.5		75	138	203	53		72			1.76	2.23
TX350-1DA-50S	TX350-1RS-50S	2"			32	100	133		80.5	138	203	64		72			2.26	2.72

TX350-2PCS Series

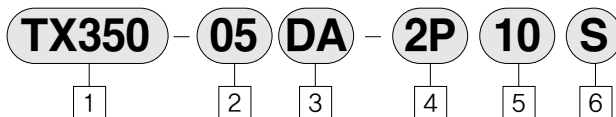
2PCS BALL VALVE

Air Operating Ball Valve(Full Bore)



- Easily maintainable 2-split ball valve
- No pressure loss due to the adoption of full bore in all models
- Simple assembly/disassembly during piping and maintenance
- Pressure available up to 30kg/cm² (at 60°C or less)
- A device to prevent static electricity attached
- Ground ball valve stem hole

How to Order



① Series (Air Operating Ball Valve, Full Bore)

④ Valve Type
2P : 2pcs Valve

⑥ Connection Type
S : Screw

② Actuator Cylinder Size
05 : 40mm
1 : 50mm
2 : 63mm

⑤ Valve Size
08 : 1/4"
10 : 3/8"
15 : 1/2"
20 : 3/4"
25 : 1"
32 : 1 1/4"
40 : 1 1/2"
50 : 2"

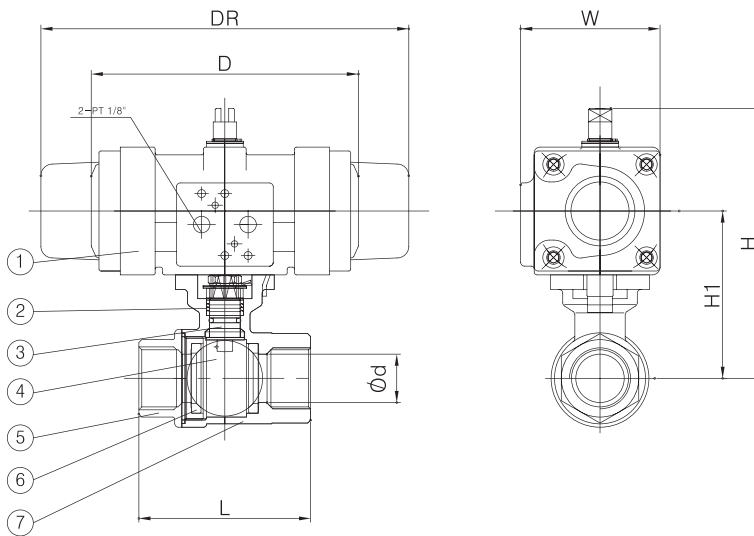
③ Actuator Type
DA : Double Acting
RS : Spring return

Product Specifications

Item	Specifications
Fluid	Water, Air, Oil, Gas, Steam
Fluid Temperature	(no freeze)0~150°C
Operating press.	4~7Kg/cm ²
Option	Solenoid Valve AC110V, AC220V, DC24V
	Speed control
	Limit Switch
	Filter Regulator and the other

2PCS BALL VALVE TX350-2PCS Series

Construction



Parts List

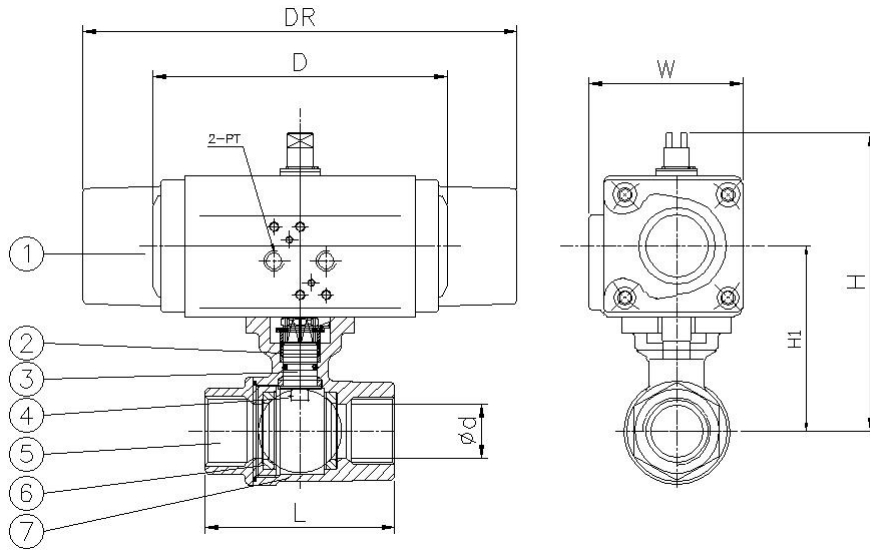
No.	Description	Material
1	ACTUATOR	Die casting
2	PACKING	PTFE
3	STEM	SUS304/316
4	BALL	SUS304/316
5	CAP	SCS13(CF8)/14(CF8M)
6	SEAT	RTFE
7	VALVE BODY	SCS13(CF8)/14(CF8M)

Dimensions (Die casting)

Model		Connection		Max. pressure (MPa)	Dimension (mm)										Weight (Kg)		
		Size (in)	Type		Ød	L	H		H1		D	DR	W		PT	DA	RS
■ TX350 Double Acting & Return Spring Actuator																	
TX350-05DA-08S	TX350-1RS-08S	1/4	Screw Type Rc	1.0	11.5	65.3	110	122	64	69	107	203	60	72	1/8	0.91	1.85
TX350-05DA-10S	TX350-1RS-10S	3/8			12.5	65.3	110	122	64	69	107	203	60	72		0.89	1.83
TX350-05DA-15S	TX350-1RS-15S	1/2			15	65.3	110	122	64	69	107	203	60	72		0.87	1.81
TX350-1DA-20S	TX350-1RS-20S	3/4			20	77.3	131	131	78	78	138	203	72	72		1.52	2.02
TX350-1DA-25S	TX350-1RS-25S	1			25	88.7	140	140	86	86	138	203	72	72		1.81	2.31
TX350-1DA-32S	TX350-2RS-32S	1 1/4			32	102.4	145	159	92	99	138	251	72	90		2.31	4.3
TX350-2DA-40S	TX350-2RS-40S	1 1/2			38	109	175	175	115	115	187	251	90	90		4.11	4.98
TX350-2DA-50S	TX350-2RS-50S	2			50	125.3	183	183	123	123	187	251	90	90		5.03	6.0

TX350-2PCS Series

Construction



Parts List

No.	Description	Material
1	ACTUATOR	Drawing
2	PACKING	PTFE
3	STEM	SUS304/316
4	BALL	SUS304/316
5	CAP	SCS13(CF8)/14(CF8M)
6	SEAT	RTFE
7	VALVE BODY	SCS13(CF8)/14(CF8M)

Dimensions (Drawing)

Model		Connection		Max. pressure (MPa)	Dimension (mm)										Weight (Kg)		
		Size (in)	Type		Ød	L	H		H1		D	DR	W		PT	DA	RS
■ TX350 Double Acting & Return Spring Actuator																	
TX350-05DA-08S	TX350-1RS-08S	1/4	Screw Type Rc	1.0	11.5	65.3	110	122	64	69	107	203	58.4	72	1/8	0.91	1.85
TX350-05DA-10S	TX350-1RS-10S	3/8			12.5	65.3	110	122	64	69	107	203	58.4	72		0.89	1.83
TX350-05DA-15S	TX350-1RS-15S	1/2			15	65.3	110	122	64	69	107	203	58.4	72		0.87	1.81
TX350-1DA-20S	TX350-1RS-20S	3/4			20	77.3	131	131	78	78	138	203	72	72		1.52	2.02
TX350-1DA-25S	TX350-1RS-25S	1			25	88.7	140	140	86	86	138	203	72	72		1.81	2.31
TX350-1DA-32S	TX350-2RS-32S	1 1/4			32	102.4	145	159	92	99	138	251	72	86.7		2.31	4.3
TX350-2DA-40S	TX350-2RS-40S	1 1/2			38	109	175	175	115	115	187	251	86.7	86.7		4.11	4.98
TX350-2DA-50S	TX350-2RS-50S	2			50	125.3	183	183	123	123	187	251	86.7	86.7		5.03	6.0

TX350-3PCS Series

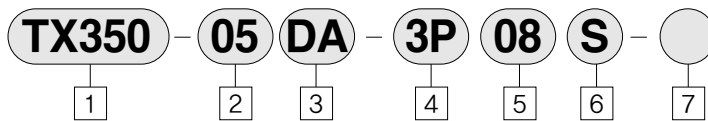
3PCS BALL VALVE

Air Operating Ball Valve(Full Bore)



- ISO standard
- Easily maintainable 3-split ball valve
- No pressure loss due to the adoption of full bore in all models
- Easy assembly/disassembly during piping and maintenance
- Pressure of 30kg/cm² (at 60°C or less)
- A device to prevent static electricity attached
- Ground ball valve stem hole ground

How to Order



1 Series (Air Operating Ball Valve)

2 Actuator Cylinder Size

05 : 40mm
1 : 50mm
2 : 63mm

3 Actuator Type

DA : Double Acting
RS : Spring return

4 Valve Type

3P : 3pcs Valve

5 Valve Size

08 : 1/4 "
10 : 3/8 "
15 : 1/2 "
20 : 3/4 "
25 : 1 "
32 : 1 1/4 "
40 : 1 1/2 "
50 : 2 "

6 Connection Type

S : Screw
SW : Socket weld

7 Option

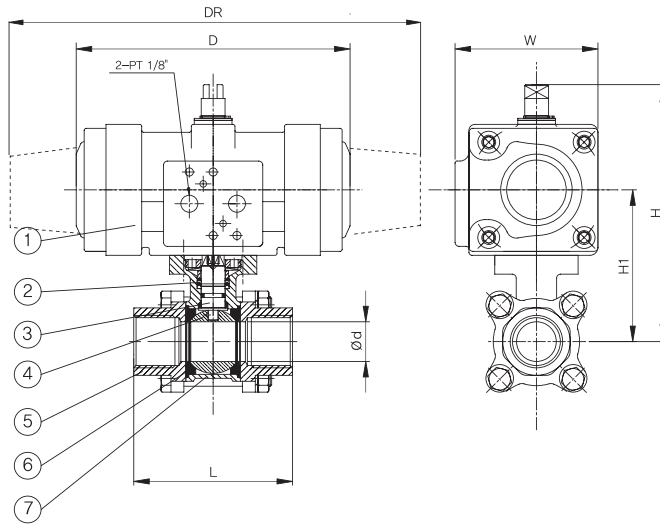
Blank : Standard
H : High temperature Valve

Product Specifications

Item	Specifications
Fluid	Water, Air, Oil, Gas, Steam
Fluid Temperature	(no freeze)0~80°C / High temperature Replacement seat(0~180°C)
Operating press	4~7Kg/cm ²
Option	Solenoid Valve AC110V, AC220V, DC24V
	Speed control
	Limit Switch
	Filter Regulator the other

TX350-3PCS Series

Construction



Parts List

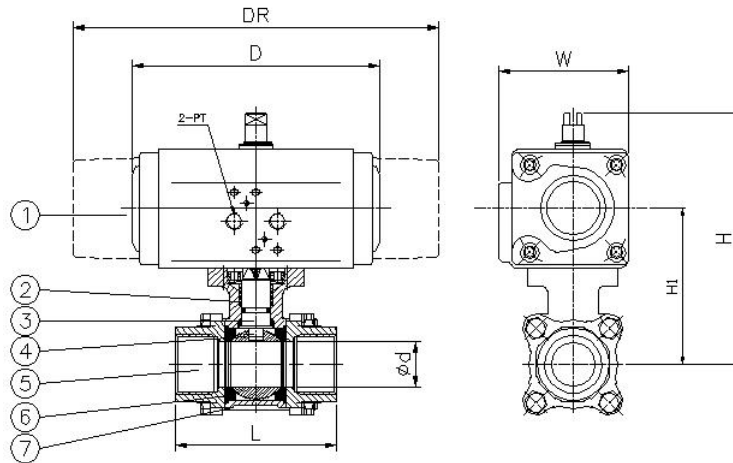
No.	Description	Material
1	ACTUATOR	Die casting
2	PACKING	PTFE
3	STEM	SUS304/SUS316
4	BALL	SUS304/SUS316
5	CAP	SCS13/SCS14(CF8/CF8M)
6	SEAT	PEFE / RTFE / CARBON
7	VALVE BODY	SCS13/SCS14(CF8/CF8M)

Dimensions (Die casting)

Model		Connection		Max. pressure (MPa)	Dimension (mm)										Weight (Kg)		
		Size (in)	Type		Ød	L	H		H1		D	DR	W		PT	DA	RS
							DA	RS	DA	RS			DA	RS			
■ TX350 Double Acting & Return Spring Actuator																	
TX350-05DA-08S	TX350-1RS-08S	1/4"	Screw Type Rc	1.0	11.5	63.5	111	123	65	70	107	203	60	72	1/8	1.07	2.05
TX350-05DA-10S	TX350-1RS-10S	3/8"			12.5	63.5	111	123	65	70	107	203	60	72		1.08	2.07
TX350-05DA-15S	TX350-1RS-15S	1/2"			15	75	111	123	65	70	107	203	60	72		1.09	2.07
TX350-1DA-20S	TX350-1RS-20S	3/4"			20	80	130		76.5		138	203	72			1.71	2.21
TX350-1DA-25S	TX350-1RS-25S	1"			25	90	139.5		86.5		138	203	72			2.04	2.54
TX350-2DA-32S	TX350-2RS-32S	1 1/4"			32	110	159		99		187	251	90			3.55	4.52
TX350-2DA-40S	TX350-2RS-40S	1 1/2"			38	120	166		106		187	251	90			4.32	5.36
TX350-2DA-50S	TX350-2RS-50S	2"			50	140	175		115		187	251	90			5.59	6.58

3PCS BALL VALVE TX350-3PCS Series

Construction



Parts List

No.	Description	Material
1	ACTUATOR	Drawing
2	PACKING	PTFE
3	STEM	SUS304/SUS316
4	BALL	SUS304/SUS316
5	CAP	SCS13/SCS14(CF8/CF8M)
6	SEAT	PEFE / RTFE / CARBON
7	VALVE BODY	SCS13/SCS14(CF8/CF8M)

Dimensions (Drawing)

Model		Connection		Max. pressure (MPa)	Dimension (mm)										Weight (Kg)		
		Size (in)	Type		Ød	L	H		H1		D	DR	W		PT	DA	RS
■ TX350 Double Acting & Return Spring Actuator																	
TX350-05DA-08S	TX350-1RS-08S	1/4"	Screw Type Rc	1.0	11.5	63.5	111	123	65	70	107	203	58.4	72	1/8	1.07	2.05
TX350-05DA-10S	TX350-1RS-10S	3/8"			12.5	63.5	111	123	65	70	107	203	58.4	72		1.08	2.07
TX350-05DA-15S	TX350-1RS-15S	1/2"			15	75	111	123	65	70	107	203	58.4	72		1.09	2.07
TX350-1DA-20S	TX350-1RS-20S	3/4"			20	80	130		76.5		138	203	72			1.71	2.21
TX350-1DA-25S	TX350-1RS-25S	1"			25	90	139.5		86.5		138	203	72			2.04	2.54
TX350-2DA-32S	TX350-2RS-32S	1 1/4"			32	110	159		99		187	251	86.7			3.55	4.52
TX350-2DA-40S	TX350-2RS-40S	1 1/2"			38	120	166		106		187	251	86.7			4.32	5.36
TX350-2DA-50S	TX350-2RS-50S	2"			50	140	175		115		187	251	86.7			5.59	6.58

TX350-3PCS High Pressure Series

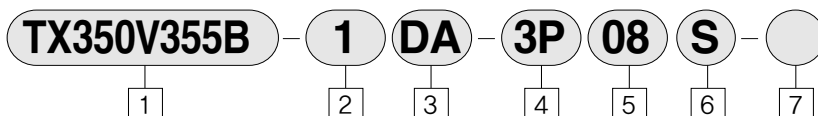
3PCS BALL VALVE

Air Operating High Pressure Ball Valve (Full Bore)



- ISO standard
- Easily maintainable 3-split ball valve
- No pressure loss due to the adoption of full bore in all models
- Easy assembly/disassembly during piping and maintenance
- Uses high pressure from 140kg/cm² to 100kg/cm²; uses high-viscosity fluid
- Direct mounting type

How to Order



1 Series(Air operating Ball vave)

2 Actuator Cylinder Size
1 : 50mm
2 : 63mm

3 Actuator Type
DA : Double Acting

4 Valve Type
3P : 3pcs Valve

5 Valve Size

08 : 1/4 "	}	140kg/cm ² (Allowable)
10 : 3/8 "		
15 : 1/2 "		
20 : 3/4 "		
25 : 1 "	}	70kg/cm ² (Allowable)
32 : 1 1/4 "		
40 : 1 1/2 "		
50 : 2 "		

6 Connection Type
S : Screw

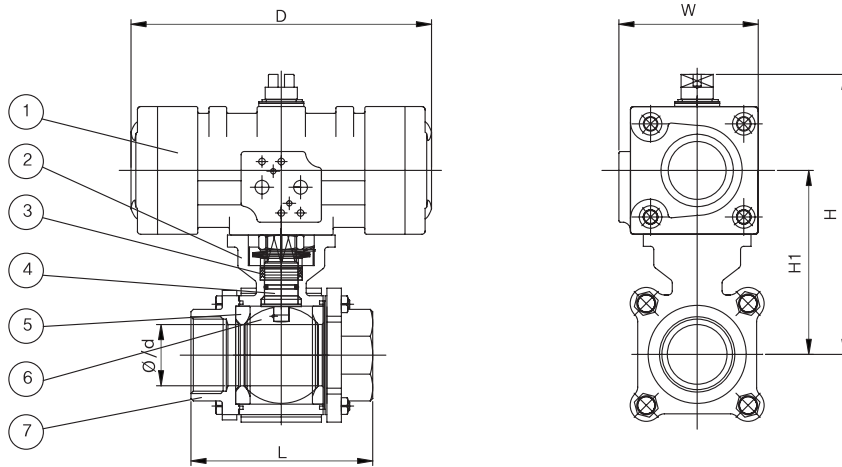
7 Option
Blank : Standard
H : High temperature Valve

Product Specifications

Item	Specifications
Fluid	Water, Air, Oil, Gas, Steam
Fluid Temperature	(no freeze)0~80°C / High temperature Replacement seat(0~180°C)
Operating press.	4~7Kg/cm ²
Option	Solenoid Valve AC110V, AC220V, DC24V
	Speed control
	Limit Switch
	Filter Regulator the other

3PCS BALL VALVE TX350-3PCS High-Pressure Valve Series

Construction



Parts List

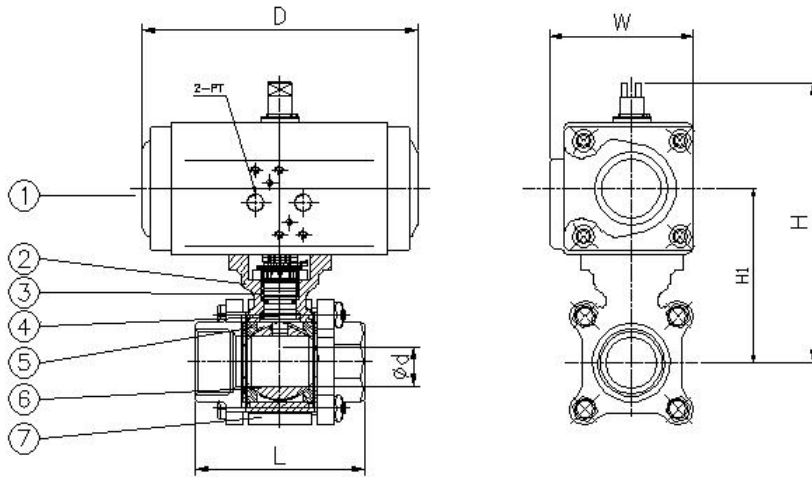
No.	Description	Material
1	ACTUATOR	Die casting
2	VALVE BODY	SCS14(CF8M)
3	PACKING	PTFE
4	STEM	SUS316
5	SEAT	RTFE / CARBON
6	BALL	SUS316
7	CAP	SCS14(CF8M)

Dimensions (Die casting)

Model	Connection		Max. pressure (kg/cm ²)	Dimension (mm)										Weight (Kg)
	Size(in)	Type		Ød	L	H	H1	D	DR	W	3pcs(mm)	PT		
■ TX350 Double Acting Actuator														
TX350V355B-1DA-08S	1/4"	Screw Type Rc	140	11.5	56.1	123	70	138	/	72	9	1/8	1.7	
TX350V355B-1DA-10S	3/8"			12.5	56.1	123	70	138	/	72			1.72	
TX350V355B-1DA-15S	1/2"			15	68	123	70	138	/	72			1.74	
TX350V355B-1DA-20S	3/4"			20	76.1	131	78	138	/	72			2	
TX350V355B-1DA-25S	1"		25	84.6	140	87	138	/	72	2.36				
TX350V355B-2DA-32S	1 1/4"		70	32	98.1	159	99	187	/	90	4.25			
TX350V355B-2DA-40S	1 1/2"			38	111.2	175	115	187	/	90	14	5.19		
TX350V355B-2DA-50S	2"			50	126.7	183	123	187	/	90	14	6.89		

TX350-3PCS High-Pressure Valve Series

Construction



Parts List

No.	Description	Material
1	ACTUATOR	Drawing
2	VALVE BODY	SCS14(CF8M)
3	PACKING	PTFE
4	STEM	SUS316
5	SEAT	RTFE / CARBON
6	BALL	SUS316
7	CAP	SCS14(CF8M)

Dimensions (Drawing)

Model	Connection		Max. pressure (kg/cm ²)	Dimension (mm)										Weight (Kg)
	Size(in)	Type		Ød	L	H	H1	D	DR	W	3pcs(mm)	PT		
■ TX350 Double Acting Actuator														
TX350V355B-1DA-08S	1/4"	Screw Type Rc	140	11.5	56.1	123	70	138		72	9	1/8	1.7	
TX350V355B-1DA-10S	3/8"			12.5	56.1	123	70	138		72			1.72	
TX350V355B-1DA-15S	1/2"			15	68	123	70	138		72			1.74	
TX350V355B-1DA-20S	3/4"			20	76.1	131	78	138		72			2	
TX350V355B-1DA-25S	1"			25	84.6	140	87	138		72			2.36	
TX350V355B-2DA-32S	1 1/4"			70	32	98.1	159	99	187				86.7	4.25
TX350V355B-2DA-40S	1 1/2"		38		111.2	175	115	187		86.7	14	5.19		
TX350V355B-2DA-50S	2"		50		126.7	183	123	187		86.7	14	6.89		

TX350-3WAY Series

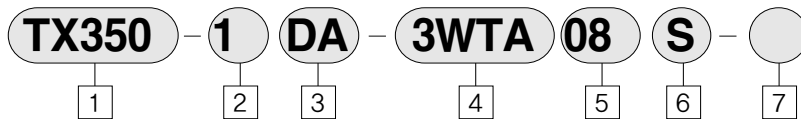
3WAY BALL VALVE

Air Operating Ball Valve(Reducer Bore)



- ISO standard
- Low Cost Valve
- Light weight and compact design
- Highly corrosion proof SCS14 (body)
- Use high pressure of up to 180°C
- Uses high viscosity fluid

How to Order



1 Series
(Air operating Ball vave)

2 Actuator Cylinder Size

05 : 40mm
1 : 50mm
2 : 63mm
2.5 : 63mm

3 Actuator Type

DA : Double Acting
RS : Spring return

4 Valve(Port) Type

3WL : 3port "L" Type

3WTA : 3port "T" Type
3WTB : 3port "T" Type
3WTC : 3port "T" Type
3WTD : 3port "T" Type

5 Valve Size

08 : 1/4"
10 : 3/8"
15 : 1/2"
20 : 3/4"
25 : 1"
32 : 1 1/4"
40 : 1 1/2"
50 : 2"

6 Connection Type

S : Screw

7 Option

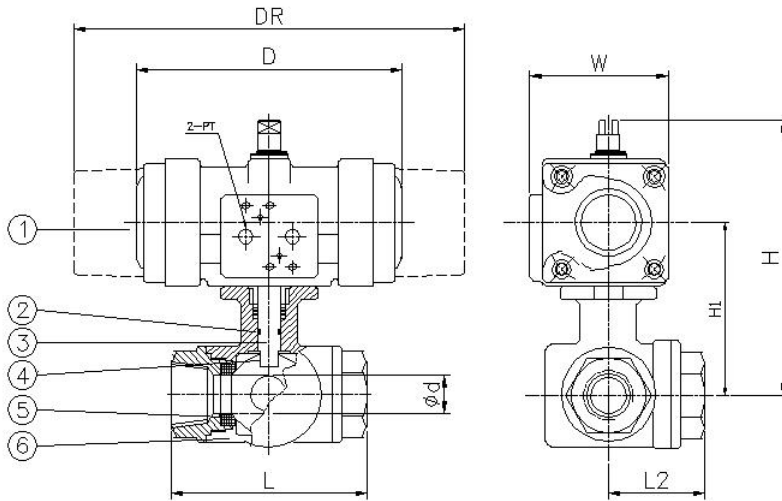
Blank : Standard
H : High temperature Valve

Product Specifications

Item	Specifications
Fluid	Water, Air, Oil, Gas, Steam
Fluid Temperature	(no freeze)0~80°C / High temperature replacement seal 0~180°C
Operating press.	4~7Kg/cm ²
Option	Solenoid Valve AC110V, AC220V, DC24V
	Speed control
	Limit Switch
	Filter Regulator the other

TX350-3WAY Series

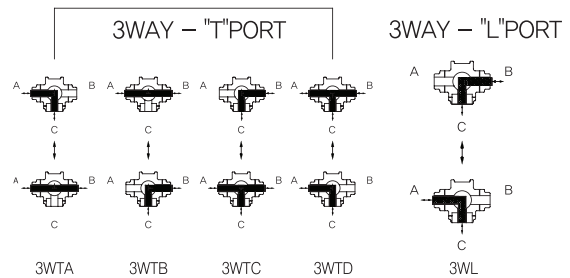
Construction



Parts List

No.	Description	Material
1	ACTUATOR	Die casting
2	O-RING	VITON
3	STEM	SUS316
4	BALL	SUS316
5	SEAT	RTFE / CARBON
6	VALVE BODY	SCS14(CF8M)

3WAY VALVE Fluid Flow Diagram



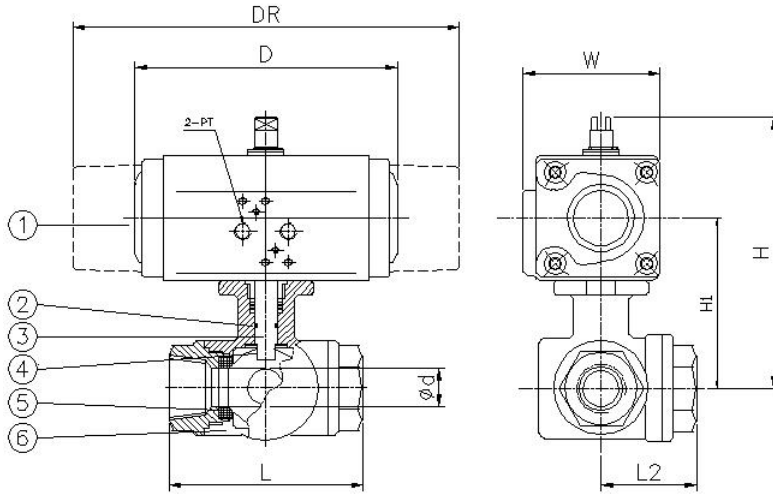
Dimensions (Die casting)

Model	Connection		Max. pressure (MPa)	Dimension(mm)											Weight (Kg)			
	Size (in)	Type		Ød	L	H		H1		D	DR	L2	W		PT	DA	RS	
						DA	RS	DA	RS				DA	RS				
■ TX350-series Double Acting & Return Spring Actuator																		
TX350-05DA-08S-3W	TX350-05RS-08S-3W	1/4	1.0	11	75.7	112	67	107	37.3	60	1/8	1.18	1.27					
TX350-05DA-10S-3W	TX350-05RS-10S-3W	3/8		11	75.7	112	67	107	37.3	60		1.15	1.28					
TX350-05DA-15S-3W	TX350-1RS-15S-3W	1/2		12.7	75.7	112	124	67	71	107		37.3	60	1.09	2.02			
TX350-1DA-20S-3W	TX350-1RS-20S-3W	3/4		16	86.6	131	78	138	203	44.7		72	2.04	2.47				
TX350-1DA-25S-3W	TX350-1RS-25S-3W	1		20	102.4	143	90	138	203	51.4		72	2.55	3				
TX350-2DA-32S-3W	TX350-2RS-32S-3W	1 1/4		25	118.2	162	102	187	251	57.7		90	4.46	5.3				
TX350-2DA-40S-3W	TX350-2RS-40S-3W	1 1/2		32	125.8	178	118	187	251	62.7		90	5.46	6.46				
TX350-2.5DA-50S-3W	TX350-3RS-50S-3W	2		38	149	142	212	127	140	210		427	74.6	87	106	1/4	9.08	11.55

*2.5DA is a compression molding (drawing) product

3WAY BALL VALVE TX350-3WAY Series

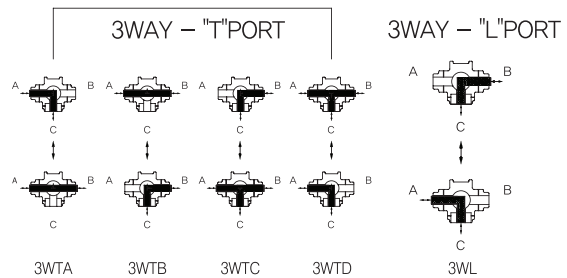
Construction



Parts List

No.	Description	Material
1	ACTUATOR	Drawing
2	O-RING	VITON
3	STEM	SUS316
4	BALL	SUS316
5	SEAT	RTFE / CARBON
6	VALVE BODY	SCS14(CF8M)

3WAY VALVE Fluid Flow Diagram



Dimensions (Drawing)

Model	Connection		Max. pressure (MPa)	Dimension (mm)											Weight (Kg)		
	Size (in)	Type		Ød	L	H		H1		D	DR	L2	W		PT	DA	RS
						DA	RS	DA	RS				DA	RS			
■ TX350-series Double Acting & Return Spring Actuator																	
TX350-05DA-08S-3W	TX350-05RS-08S-3W	1/4	1.0	11	75.7	112		67		107		37.3		58.4		1.18	1.27
TX350-05DA-10S-3W	TX350-05RS-10S-3W	3/8		11	75.7	112		67		107		37.3		58.4		1.15	1.28
TX350-05DA-15S-3W	TX350-1RS-15S-3W	1/2		12.7	75.7	112	124	67	71	107		37.3		58.4		1.09	2.02
TX350-1DA-20S-3W	TX350-1RS-20S-3W	3/4		16	86.6	131		78		138	203	44.7		72	1/8	2.04	2.47
TX350-1DA-25S-3W	TX350-1RS-25S-3W	1		20	102.4	143		90		138	203	51.4		72		2.55	3
TX350-2DA-32S-3W	TX350-2RS-32S-3W	1 1/4		25	118.2	162		102		187	251	57.7		86.7		4.46	5.3
TX350-2DA-40S-3W	TX350-2RS-40S-3W	1 1/2		32	125.8	178		118		187	251	62.7		86.7		5.46	6.46
TX350-2.5DA-50S-3W	TX350-3RS-50S-3W	2		38	149	142	212	127	140	210	427	74.6	87	106	1/4	9.08	11.55

*2.5DA is a compression molding (drawing) product