

Series PCV

Accessories Modular Check Valve

The modular check valve is used to prevent downstream pressure loss. Acting as a one-way directional flow valve, this device is generally installed downstream of the regulator.

□ PCV2



■ Standard Specifications

Specifications	PCV2	PCV3	PCV4
Port Size (No Threads)	1/4" Hole	3/8" Hole	1/2" Hole
Top Port Size Rc(PT), NPT, G(PF)	1/8", 1/4"	1/8", 1/4"	1/4", 3/8"
Max. Flow Capacity (N l /min)	1,200(42scfm)	3,500(124scfm)	5,000(177scfm)
Weight(kg)	0.01(0.02lb)	0.23(0.51lb)	0.43(0.95lb)

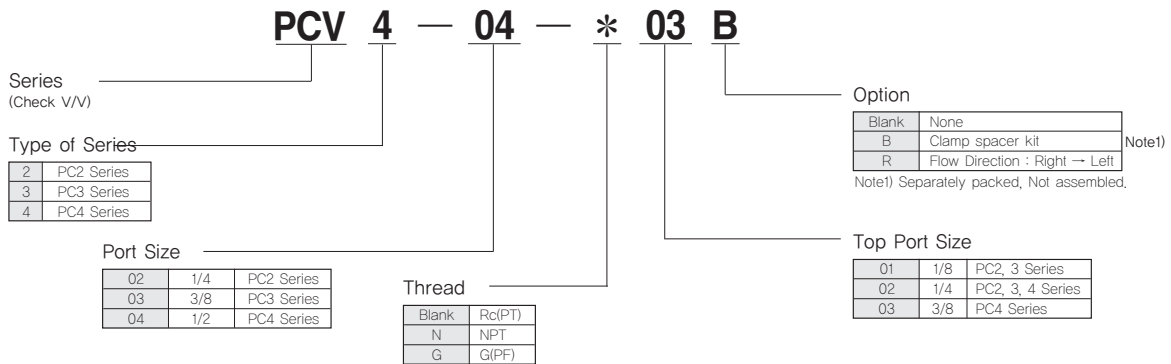
□ PCV3



□ PCV4

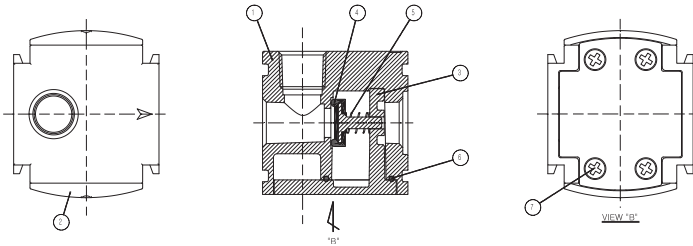


■ How to Order



Series PCV

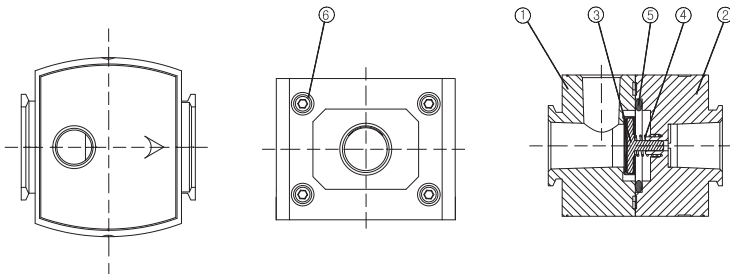
PCV2 Construction



Main Parts List

NO.	Description	Material	Remark
①	Body	Aluminum	
②	F-Body Cover	Nylon	
③	Body Cover	Aluminum	
④	Valve Assembly	Brass+NBR	
⑤	Spring	Stainless Steel	
⑥	Gasket of Body Cover	NBR	
⑦	Bolt of Cover	Rolled Steel	

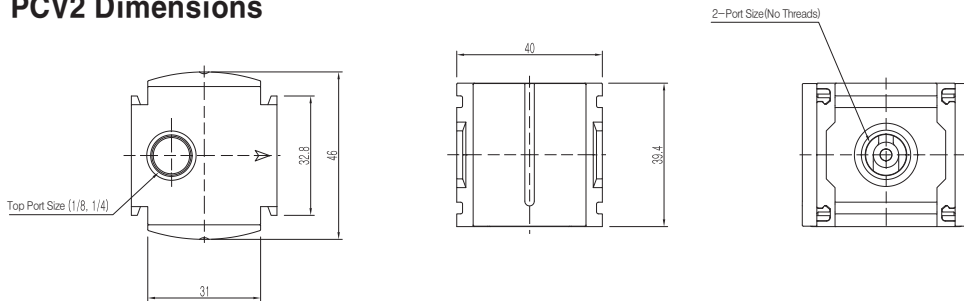
PCV3, 4 Construction



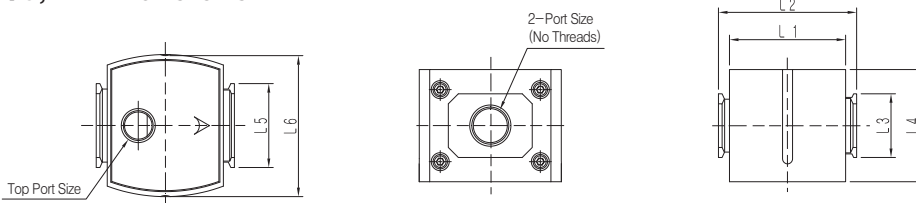
Main Parts List

NO.	Description	Material	Remark
①	Body R	Aluminum	
②	Body L	Aluminum	
③	Valve Assembly	Brass+NBR	
④	Return Spring	Stainless Steel	
⑤	Gasket	NBR	
⑥	Wrench Bolt	Rolled Steel	

PCV2 Dimensions



PCV3, 4 Dimensions



Series	Main Dimensions						Remarks		
	Port Size (No Threads)	Top Port Size Rc(PT), NPT, G(PF)	L 1	L 2	L 3	L 4		L 5	L 6
PCV3	3/8"	1/8" 1/4"	46	56	45	49	33	56	
PCV4	1/2"	1/4", 3/8"	58	69	31.8	56	41.9	71	

PC2

PF2

PR2

PL2

PP2

PC3

PF3

PR3

PL3

PP3

PC4

PF4

PR4

PL4

PP4

PC5

PF5

PR5

PL5

PP5

PFH(U)2~
PFH(U)5

PPH(U)3~
PPH(U)4

PLV

PSH

PCV

MB